

FF.GROUP®

QUALITY POWER TOOLS



AG 115/750 PLUS

EN

ORIGINAL INSTRUCTIONS

FR

NOTICE ORIGINALE

IT

ISTRUZIONI ORIGINALI

EL

ΕΓΧΕΙΡΙΔΙΟ ΟΔΗΓΙΩΝ ΧΡΗΣΗΣ

SR

ORIGINALNO UPUTSTVO ZA RAD

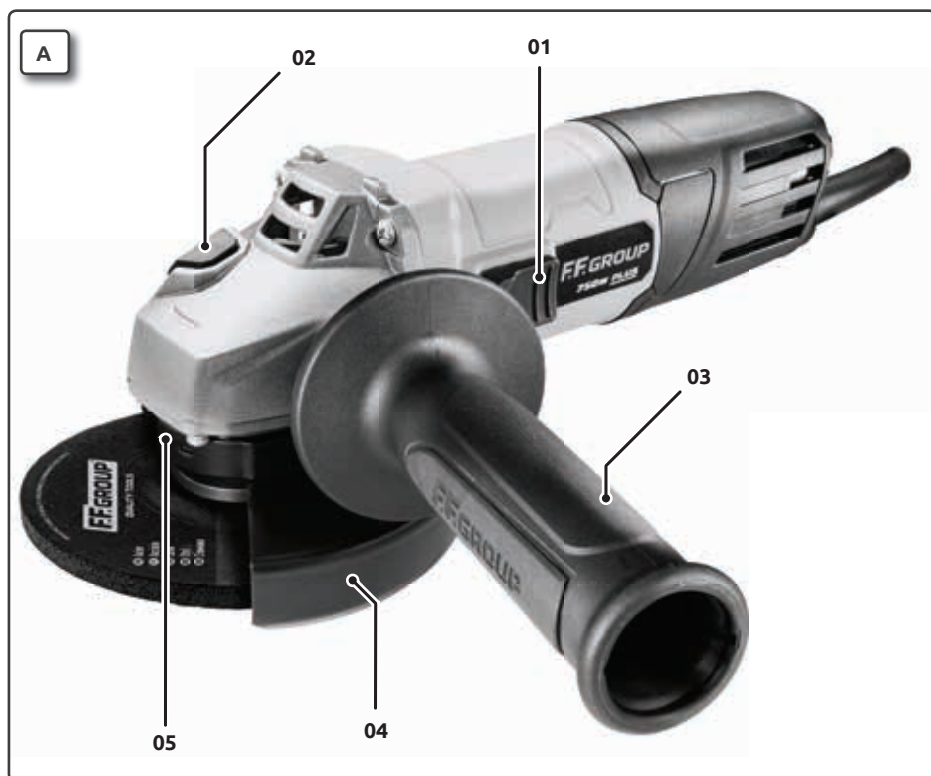
RO

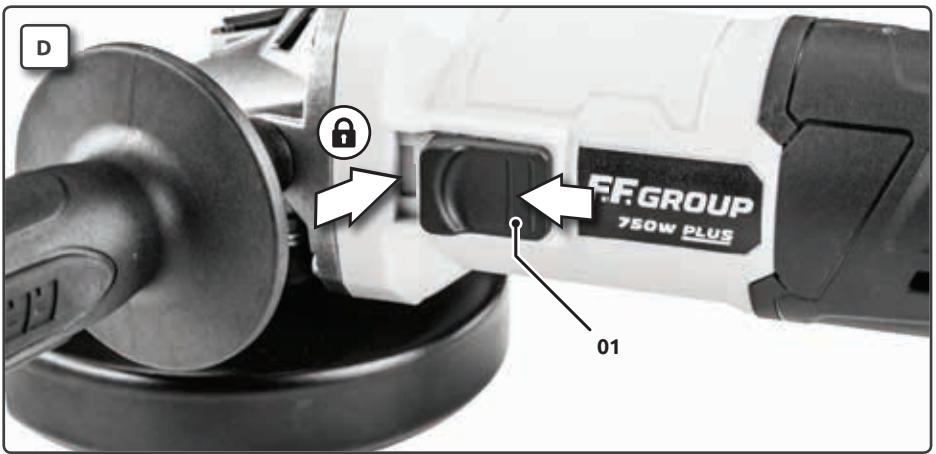
INSTRUCȚIUNI DE FOLOSIRE ORIGINALE

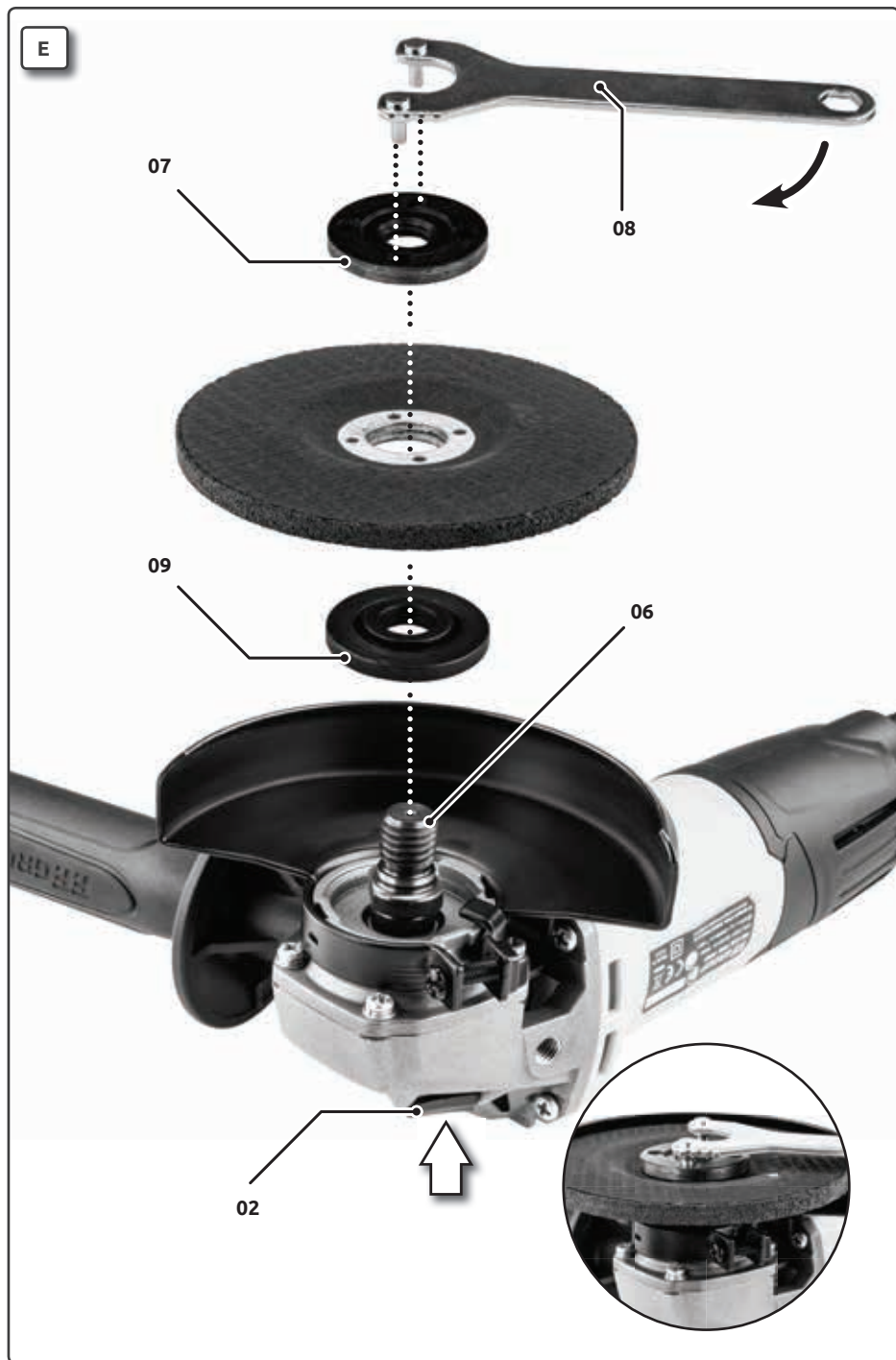
BG

ОРИГИНАЛНО РЪКОВОДСТВО ЗА ЕКСПЛОАТАЦИЯ

EN	ANGLE GRINDER.....	05
FR	MEULEUSE ANGULAIRE.....	09
IT	LEVIGATRICE ANGOLARE.....	15
EL	ΓΩΝΙΑΚΟΣ ΤΡΟΧΟΣ.....	20
SR	UGAONA BRUSILICA.....	26
RO	POLIZOR UNGHIULAR.....	31
BG	ЪГЛОШЛАЙФ.....	36







ENGLISH

GENERAL POWER TOOL SAFETY WARNINGS

Read all safety warnings and all instructions. Failure to follow the warnings and instructions may result in electric shock, fire and/or serious injury. Save all warnings and instructions for future reference. The term "power tool" in the warnings refers to your mains-operated (corded) power tool or battery-operated (cordless) power tool.

WORK AREA

- Keep work area clean and well lit. Cluttered or dark areas invite accidents.
- Do not operate power tools in explosive atmospheres, such as in the presence of flammable liquids, gases or dust. Power tools create sparks which may ignite the dust or fumes.
- Keep children and bystanders away while operating a power tool. Distractions can cause you to lose control.

ELECTRICAL SAFETY

- Power tool plugs must match the outlet. Never modify the plug in any way. Do not use any adapter plugs with earthed (grounded) power tools. Unmodified plugs and matching outlets will reduce risk of electric shock.
- Avoid body contact with earthed or grounded surfaces, such as pipes, radiators, ranges and refrigerators. There is an increased risk of electric shock if your body is earthed or grounded.
- Do not expose power tools to rain or wet conditions. Water entering a power tool will increase the risk of electric shock.
- Do not abuse the cord. Never use the cord for carrying, pulling or unplugging the power tool. Keep cord away from heat, oil, sharp edges and moving parts. Damaged or entangled cords increase the risk of electric shock.
- When operating a power tool outdoors, use an extension cord suitable for outdoor use. Use of a cord suitable for outdoor use reduces the risk of electric shock.
- If operating a power tool in a damp location is unavoidable, use a residual current device (RCD) protected supply. Use of an RCD reduces the risk of electric shock.

PERSONAL SAFETY

- Stay alert, watch what you are doing and use common sense when operating a power tool. Do not use a power tool while you are tired or under the influence of drugs, alcohol or medication. A moment of inattention while operating power tools may result in serious personal injury.
- Use personal protective equipment. Always wear eye protection. Protective equipment such as dust mask, non-skid safety shoes, hard hat, or hearing protection used for appropriate conditions will reduce personal injuries.
- Prevent unintentional starting. Ensure the switch is in the off-position before connecting to power source and/or battery pack, picking up or carrying the tool. Carrying power tools with your finger on the switch or energizing power tools that have the switch on

invites accidents.

- Remove any adjusting key or wrench before turning the power tool on. A wrench or a key left attached to a rotating part of the power tool may result in personal injury.
- Do not overreach. Keep proper footing and balance at all times. This enables better control of the power tool in unexpected situations.
- Dress properly. Do not wear loose clothing or jewelry. Keep your hair, clothing and gloves away from moving parts. Loose clothes, jewelry or long hair can be caught in moving parts.
- If devices are provided for the connection of dust extraction and collection facilities, ensure these are connected and properly used. Use of dust collection can reduce dust-related hazards.

POWER TOOL USE AND CARE

- Do not force the power tool. Use the correct power tool for your application. The correct power tool will do the job better and safer at the rate for which it was designed.
- Do not use the power tool if the switch does not turn it on and off. Any power tool that cannot be controlled with the switch is dangerous and must be repaired.
- Disconnect the plug from the power source and/or the battery pack from the power tool before making any adjustments, changing accessories, or storing power tools. Such preventive safety measures reduce the risk of starting the power tool accidentally.
- Store idle power tools out of the reach of children and do not allow persons unfamiliar with the power tool or these instructions to operate the power tool. Power tools are dangerous in the hands of untrained users.
- Maintain power tools. Check for misalignment or binding of moving parts, breakage of parts and any other condition that may affect the power tool's operation. If damaged, have the power tool repaired before use. Many accidents are caused by poorly maintained power tools.
- Keep cutting tools sharp and clean. Properly maintained cutting tools with sharp cutting edges are less likely to bind and are easier to control.
- Use the power tool, accessories and tool bits etc. in accordance with these instructions, taking into account the working conditions and the work to be performed. Use of the power tool for operations different from those intended could result in a hazardous situation.

SERVICE

Have your power tool serviced by a qualified repair person using only identical replacement parts. This will ensure that the safety of the power tool is maintained.

SAFETY WARNINGS FOR ANGLE GRINDER

SAFETY WARNINGS COMMON FOR GRINDING, SANDING, WIRE BRUSHING OR ABRASIVE CUTTING OFF OPERATIONS

- This power tool is intended to function as a grinder, sander, wire brush or cut-off tool. Read all safety warnings, instructions, illustrations and specifications provided with this power tool. Failure to follow all instructions listed below may result in electric

shock, fire and/or serious injury.

- Operations such as polishing are not recommended to be performed with this power tool. Operations for which the power tool was not designed may create a hazard and cause personal injury.
- Do not use accessories which are not specifically designed and recommended by the tool manufacturer. Just because the accessory can be attached to your power tool, it does not assure safe operation.
- The rated speed of the accessory must be at least equal to the maximum speed marked on the power tool. Accessories running faster than their rated speed can break and fly apart.
- The outside diameter and the thickness of your accessory must be within the capacity rating of your power tool. Incorrectly sized accessories cannot be adequately guarded or controlled.
- Threaded mounting of accessories must match the grinder spindle thread. For accessories mounted by flanges, the arbour hole of the accessory must fit the locating diameter of the flange. Accessories that do not match the mounting hardware of the power tool will run out of balance, vibrate excessively and may cause loss of control.
- Do not use a damaged accessory. Before each use inspect the accessory such as abrasive wheels for chips and cracks, backing pad for cracks, tear or excess wear, wire brush for loose or cracked wires. If power tool or accessory is dropped, inspect for damage or install an undamaged accessory. After inspecting and installing an accessory, position yourself and bystanders away from the plane of the rotating accessory and run the power tool at maximum no-load speed for one minute. Damaged accessories will normally break apart during this test time.
- Wear personal protective equipment. Depending on application, use face shield, safety goggles or safety glasses. As appropriate, wear dust mask, hearing protectors, gloves and workshop apron capable of stopping small abrasive or workpiece fragments. The eye protection must be capable of stopping flying debris generated by various operations. The dust mask or respirator must be capable of filtering particles generated by your operation. Prolonged exposure to high intensity noise may cause hearing loss.
- Keep bystanders a safe distance away from work area. Anyone entering the work area must wear personal protective equipment. Fragments of workpiece or of a broken accessory may fly away and cause injury beyond immediate area of operation.
- Hold the power tool by insulated gripping surfaces only, when performing an operation where the cutting accessory may contact hidden wiring or its own cord. Cutting accessory contacting a "live" wire may make exposed metal parts of the power tool "live" and could give the operator an electric shock.
- Position the cord clear of the spinning accessory. If you lose control, the cord may be cut or snagged and your hand or arm may be pulled into the spinning wheel.
- Never lay the power tool down until the accessory has come to a complete stop. The spinning wheel may grab the surface and pull the power tool out of your control.
- Do not run the power tool while carrying it at your side. Accidental contact with the spinning accessory

could snag your clothing, pulling the accessory into your body.

- Regularly clean the power tool's air vents. The motor's fan will draw the dust inside the housing and excessive accumulation of powdered metal may cause electrical hazards.
- Do not operate the power tool near flammable materials. Sparks could ignite these materials.
- Do not use accessories that require liquid coolants. Using water or other liquid coolants may result in electrocution or shock.

KICKBACK AND RELATED WARNINGS

- Kickback is a sudden reaction to a pinched or snagged rotating wheel, backing pad, brush or any other accessory. Pinching or snagging causes rapid stalling of the rotating accessory which in turn causes the uncontrolled power tool to be forced in the direction opposite of the accessory's rotation at the point of the binding. For example, if an abrasive wheel is snagged or pinched by the workpiece, the edge of the wheel that is entering into the pinch point can dig into the surface of the material causing the wheel to climb out or kick out. The wheel may either jump toward or away from the operator, depending on direction of the wheel's movement at the point of pinching. Abrasive wheels may also break under these conditions. Kickback is the result of power tool misuse and/or incorrect operating procedures or conditions and can be avoided by taking proper precautions as given below.
- Maintain a firm grip on the power tool and position your body and arm to allow you to resist kickback forces. Always use auxiliary handle, if provided, for maximum control over kickback or torque reaction during start-up. The operator can control torque reactions or kickback forces, if proper precautions are taken.
- Never place your hand near the rotating accessory. Accessory may kickback over your hand.
- Do not position your body in the area where power tool will move if kickback occurs. Kickback will propel the tool in direction opposite to the wheel's movement at the point of snagging.
- Use special care when working corners, sharp edges, etc. Avoid bouncing and snagging the accessory. Corners, sharp edges or bouncing have a tendency to snag the rotating accessory and cause loss of control or kickback.
- Do not attach a saw chain woodcarving blade or toothed saw blade. Such blades create frequent kickback and loss of control.

SAFETY WARNINGS SPECIFIC FOR GRINDING AND ABRASIVE CUTTING OFF OPERATIONS

- Use only wheel types that are recommended for your power tool and the specific guard designed for the selected wheel. Wheels for which the power tool was not designed cannot be adequately guarded and are unsafe.
- The grinding surface of the center depressed wheels must be mounted below the plane of the guard lip. An improperly mounted wheel that projects through the plane of the guard lip cannot be adequately protected.
- The guard must be securely attached to the power

tool and positioned for maximum safety, so the least amount of wheel is exposed towards the operator. The guard helps to protect operator from broken wheel fragments, accidental contact with wheel and sparks that could ignite clothing.

- ▶ Wheels must be used only for recommended applications. For example: do not grind with the side of the cut-off wheel. Abrasive cut-off wheels are intended for peripheral grinding; side forces applied to these wheels may cause them to shatter.
- ▶ Always use undamaged wheel flanges that are of correct size and shape for your selected wheel. Proper wheel flanges support the wheel thus reducing the possibility of wheel breakage. Flanges for cut-off wheels may be different from grinding wheel flanges.
- ▶ Do not use worn down reinforced wheels from larger power tools. Wheels intended for larger power tools are not suitable for the higher speed of a smaller tool and may burst.

ADDITIONAL SAFETY WARNINGS SPECIFIC FOR ABRASIVE CUTTING OFF OPERATIONS

- ▶ Do not "jam" the cut-off wheel or apply excessive pressure. Do not attempt to make an excessive depth of cut. Overstressing the wheel increases the loading and susceptibility to twisting or binding of the wheel in the cut and the possibility of kickback or wheel breakage.
- ▶ Do not position your body in line with and behind the rotating wheel. When the wheel, at the point of operation, is moving away from your body, the possible kickback may propel the spinning wheel and the power tool directly at you.
- ▶ When wheel is binding or when interrupting a cut for any reason, switch off the power tool and hold the power tool motionless until the wheel comes to a complete stop. Never attempt to remove the cut-off wheel from the cut while the wheel is in motion otherwise kickback may occur. Investigate and take corrective action to eliminate the cause of wheel binding.
- ▶ Do not restart the cutting operation in the workpiece. Let the wheel reach full speed and carefully re-enter the cut. The wheel may bind, walk up or kickback if the power tool is restarted in the workpiece.
- ▶ Support panels or any oversized workpiece to minimize the risk of wheel pinching and kickback. Large workpieces tend to sag under their own weight. Supports must be placed under the workpiece near the line of cut and near the edge of the workpiece on both sides of the wheel.
- ▶ Use extra caution when making a "pocket cut" into existing walls or other blind areas. The protruding wheel may cut gas or water pipes, electrical wiring or objects that can cause kickback.

SAFETY WARNINGS SPECIFIC FOR SANDING OPERATIONS

- ▶ Do not use excessively oversized sanding disc paper. Follow manufacturers recommendations, when selecting sanding paper. Larger sanding paper extending beyond the sanding pad presents a laceration hazard and may cause snagging, tearing of the disc, or kickback.

SAFETY WARNINGS SPECIFIC FOR WIRE BRUSHING OPERATIONS

- ▶ Be aware that wire bristles are thrown by the brush even during ordinary operation. Do not overstress the wires by applying excessive load to the brush. The wire bristles can easily penetrate light clothing and/or skin.
- ▶ If the use of a guard is recommended for wire brushing, do not allow any interference of the wire wheel or brush with the guard. Wire wheel or brush may expand in diameter due to work load and centrifugal forces.

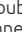
ADDITIONAL SAFETY WARNINGS

- ▶ Wear safety goggles.
- ▶ Use suitable detectors to determine if utility lines are hidden in the work area or call the local utility company for assistance. Contact with electric lines can lead to fire and electric shock. Damaging a gas line can lead to explosion. Penetrating a water line causes property damage or may cause an electric shock.
- ▶ Release the On/Off switch and set it to the off position when the power supply is interrupted, e. g., in case of a power failure or when the mains plug is pulled.
- ▶ Do not touch grinding and cutting discs before they have cooled down. The discs can become very hot while working.
- ▶ Secure the workpiece. A workpiece clamped with clamping devices or in a vice is held more secure than by hand.

CONNECTION TO THE POWER SUPPLY

Make sure the power supply information on the machine's rating plate are compatible with the power supply you intend to connect it to.

This appliance is Class II* and is designed for connection to a power supply matching that detailed on the rating label and compatible with the plug fitted. If an extension lead is required, use an approved and compatible lead rated for this appliance. Follow all the instruction supplied with the extension lead.

*Double insulated : This product requires no earth connection as supplementary insulation is applied to the basic insulation to protect against electric shock in the event of failure of the basic insulation.

GUIDELINES FOR USING EXTENSION CORDS

- ▶ Make sure your extension cord is in good condition. When using an extension cord, be sure to use one heavy enough to carry the current your product will draw. An undersized cord will cause a drop in line voltage resulting in loss of power and overheating.
- ▶ Always replace a damaged extension cord or have it repaired by a qualified person before using it.
- ▶ Protect your extension cords from sharp objects, excessive heat and damp/wet areas.
- ▶ Use a separate electrical circuit for your tools. This circuit should be protected with the appropriate time-delayed fuse. Before connecting the motor to the power line, make sure the switch is in the OFF position and the electric voltage is rated the same as the voltage stamped on the motor nameplate. Running at a lower voltage will damage the motor.

PRODUCT SPECIFICATIONS

INTENDED USE

The machine is intended for cutting, roughing and brushing of metal and stone materials without the use of water.

TECHNICAL DATA

Article number	41628	
Model	AG 115/750 PLUS	
Rated voltage	V	230-240
	Hz	50/60
Rated power input	W	750
Rated speed	min ⁻¹	12.000
Grinding disc diameter, max.	mm	115
Thread of grinder spindle	M	14
Thread length (max.) of grinder spindle	mm	11,5
Weight	kg	1,7
Sound emission values determined according to EN 60745-1		
Typically the A-weighted noise levels of the product are:		
Sound pressure level	dB(A)	90
Sound power level	dB(A)	101
Uncertainty K	dB	3
Vibration total values a_v (tri-ax vector sum) and uncertainty K determined according to EN 60745-1		
Vibration level max:		
a _{h,AG}	m/s ²	6,559
K	m/s ²	1,5

NOISE/VIBRATION INFORMATION

The vibration level given in this information sheet has been measured in accordance with a standardized test given in EN 60745 and may be used to compare one tool with another. It may be used for a preliminary assessment of exposure. The declared vibration emission level represents the main applications of the tool. However if the tool is used for different applications, with different accessories or insertion tools or is poorly maintained, the vibration emission may differ. This may significantly increase the exposure level over the total working period.

An estimation of the level of exposure to vibration should also take into account the times when the tool is switched off or when it is running but not actually doing the job. This may significantly reduce the exposure level over the total working period.

Identify additional safety measures to protect the operator from the effects of vibration such as: maintain the tool and the accessories, keep the hands warm, organization of work patterns.

IDENTIFICATION

1. On/Off switch
2. Spindle lock button
3. Auxiliary handle
4. Protective guard

5. Protective guard screw
6. Spindle
7. Clamping flange
8. Spanner
9. Mounting flange

USE

MOUNTING OF ACCESSORIES (E)

- Clean spindle (06) and all parts to be mounted.
- Tighten clamping flange (07) with spanner (08) while pushing spindle-lock button (02).
- For removing accessories handle vice-versa.

MOUNTING OF AUXILIARY HANDLE (C)

Screw the auxiliary handle (03) on the right or left of the machine head depending on the working method.

REMOVING / MOUNTING / ADJUSTING OF PROTECTIVE GUARD (B)

- Open protective guard (04) by loosening screw (05)
- Place protective guard (04) on the spindle collar of the tool head and turn it to the required position (depending on the work to be carried out).
- Fasten protective guard (04) by tightening screw (05)

BEFORE USING THE TOOL

- Ensure that accessory is correctly mounted and firmly tightened.
- Check if accessory runs freely by turning it by hand.
- Test-run tool for at least 60 seconds at highest no-load speed in a safe position.
- Stop immediately in case of considerable vibration or other defects and check tool to determine the cause.

SWITCHING ON AND OFF (D)

- To start the power tool, push the on/off switch (01) forward.
- To lock the on/off switch (01) in position, push the on/off switch (01) forward and down until it clicks into place.
- To switch off the power tool, release the on/off switch (01); or, if the switch is locked, briefly push the on/off switch (01) backward and down and then release it.

ROUGH GRINDING

- The best roughing results are achieved when setting the machine at an angle of 30° to 40°. Move the machine back and forth with moderate pressure. In this manner, the workpiece will not become too hot, does not discolour and no grooves are formed.
- Never use a cutting disc for roughing.

CUTTING

- Do not tilt the tool while cutting.
- Always move the tool in same direction as arrow on tool head, in order to prevent the tool from being pushed out of the cut in an uncontrolled manner.
- Do not apply pressure on the tool; let the speed of the cutting disc do the work.
- The working speed of the cutting disc depends on the material to be cut.
- Do not brake cutting discs with side pressure.

MAINTENANCE

Regular inspection and cleaning reduces the neces-

sity for maintenance operations and will keep your tool in good working condition. The motor must be correctly ventilated during tool operation. For this reason avoid blocking the air inlets.

ENVIRONMENTAL PROTECTION



Recycle raw materials instead of disposing as waste. Machine, accessories and packaging should be sorted for environment - friendly recycling. The plastic components are labeled for categorized recycling.

EXPLANATION OF SYMBOLS



Double insulation



For indoor use only. Do not expose to rain.



- Wear eye protection.
- Damage to lungs if an effective dust mask is not worn.
- Damage to hearing if effective hearing protection is not worn.



Wear protective gloves



Do not use chipped, cracked or defective grinding wheel



To reduce the risk of injury, the user must read and understand this manual before using this product.



Important!



Conforms to relevant safety standards

GUARANTEE

This product is warranted in accordance with the legal/country specific regulations, effective from the date of purchase by the first user. Damage attributable to normal wear and tear, overload or improper handling will be excluded from the guarantee. In case of a claim, please send the machine, completely assembled, to your dealer or the service Centre for electric power tools.

DECLARATION OF CONFORMITY

■ We declare under our sole responsibility that this product is in conformity with the following standards or standardized documents: EN 60745-1, EN 60745-2-3, EN 55014-1, EN 55014-2, EN 61000-3-2, EN 61000-3-3 in accordance with the provisions of the directives 2006/42/EC, 2014/30/EU.

■ Technical File at:

FF GROUP TOOL INDUSTRIES S.A.,
19300, Aspropyrgos - Greece

Loudovikos Tsirigiotis
Operations & Engineering

FF GROUP TOOL INDUSTRIES S.A., 19300
Aspropyrgos - Greece. 03/09/2018

FRANÇAIS

AVERTISSEMENTS DE SÉCURITÉ GÉNÉRAUX POUR L'OUTIL

Lire tous les avertissements de sécurité et toutes les instructions. Ne pas suivre les avertissements et instructions peut donner lieu à un choc électrique, un incendie et/ou une blessure sérieuse. Conserver tous les avertissements et toutes les instructions pour pouvoir s'y reporter ultérieurement. Le terme «outil» dans les avertissements fait référence à votre outil électrique alimenté par le secteur (avec cordon d'alimentation) ou votre outil fonctionnant sur batterie (sans cordon d'alimentation).

SÉCURITÉ DE LA ZONE DE TRAVAIL

- Conserver la zone de travail propre et bien éclairée. Les zones en désordre ou sombres sont propices aux accidents.
- Ne pas faire fonctionner les outils électriques en atmosphère explosive, par exemple en présence de liquides inflammables, de gaz ou de poussières. Les outils électriques produisent des étincelles qui peuvent enflammer les poussières ou les fumées.
- Maintenir les enfants et les personnes présentes à l'écart pendant l'utilisation de l'outil. Les distractions peuvent vous faire perdre le contrôle de l'outil.

SÉCURITÉ ÉLECTRIQUE

- Il faut que les fiches de l'outil électrique soient adaptées au socle. Ne jamais modifier la fiche de quelque façon que ce soit. Ne pas utiliser d'adaptateurs avec des outils à branchement de terre. Des fiches non modifiées et des socles adaptés réduiront le risque de choc électrique.
- Éviter tout contact du corps avec des surfaces reliées à la terre telles que les tuyaux, les radiateurs, les cuisinières et les réfrigérateurs. Il existe un risque accru de choc électrique si votre corps est relié à la terre.
- Ne pas exposer les outils à la pluie ou à des conditions humides. La pénétration d'eau à l'intérieur d'un outil augmentera le risque de choc électrique.
- Ne pas maltraiter le cordon. Ne jamais utiliser le cordon pour porter, tirer ou débrancher l'outil. Maintenir le cordon à l'écart de la chaleur, du lubrifiant, des arêtes ou des parties en mouvement. Les cordons endommagés ou emmêlés augmentent le risque de choc électrique.
- Lorsqu'on utilise un outil à l'extérieur, utiliser un prolongateur adapté à l'utilisation extérieure. L'utilisation d'un cordon adapté à l'utilisation extérieure réduit le risque de choc électrique.
- Si l'usage d'un outil dans un emplacement humide est inévitable, utiliser une alimentation protégée par un dispositif à courant différentiel résiduel (RCD). L'usage d'un RCD réduit le risque de choc électrique.

SÉCURITÉ DES PERSONNES

- Rester vigilant, regarder ce que vous êtes en train de faire et faire preuve de bon sens dans l'utilisation de l'outil. Ne pas utiliser un outil lorsque vous êtes fatigué ou sous l'emprise de drogues, d'alcool ou de médicaments. Un moment d'inattention en cours d'utilisation d'un outil peut entraîner des blessures graves des personnes.

- Utiliser un équipement de sécurité. Toujours porter une protection pour les yeux. Les équipements de sécurité tels que les masques contre les poussières, les chaussures de sécurité antidérapantes, les casques ou les protections acoustiques utilisés pour les conditions appropriées réduiront les blessures des personnes.
- Éviter tout démarrage intempestif. S'assurer que l'interrupteur est en position arrêté avant de brancher l'outil au secteur et/ou au bloc de batteries, de le ramasser ou de le porter. Porter les outils en ayant le doigt sur l'interrupteur ou brancher des outils dont l'interrupteur est en position marche est source d'accidents.
- Retirer toute clé de réglage avant de mettre l'outil en marche. Une clé laissée fixée sur une partie tournante de l'outil peut donner lieu à des blessures de personnes.
- Ne pas se précipiter. Garder une position et un équilibre adaptés à tout moment. Cela permet un meilleur contrôle de l'outil dans des situations inattendues.
- S'habiller de manière adaptée. Ne pas porter de vêtements amples ou de bijoux. Garder les cheveux, les vêtements et les gants à distance des parties en mouvement. Des vêtements amples, des bijoux ou les cheveux longs peuvent être pris dans des parties en mouvement.
- Si des dispositifs sont fournis pour le raccordement d'équipements pour l'extraction et la récupération des poussières, s'assurer qu'ils sont connectés et correctement utilisés. Utiliser des collecteurs de poussière peut réduire les risques dus aux poussières.

UTILISATION ET ENTRETIEN DE L'OUTIL

- Ne pas forcer l'outil. Utiliser l'outil adapté à votre application. L'outil adapté réalisera mieux le travail et de manière plus sûre au régime pour lequel il a été construit.
- Ne pas utiliser l'outil si l'interrupteur ne permet pas de passer de l'état de marche à arrêté et vice versa. Tout outil qui ne peut pas être commandé par l'interrupteur est dangereux et il faut le faire réparer.
- Débrancher la fiche de la source d'alimentation en courant et/ou le bloc de batteries de l'outil avant tout réglage, changement d'accessoires ou avant de ranger l'outil. De telles mesures de sécurité préventives réduisent le risque de démarrage accidentel de l'outil.
- Conserver les outils à l'arrêt hors de la portée des enfants et ne pas permettre à des personnes ne connaissant pas l'outil ou les présentes instructions de le faire fonctionner. Les outils sont dangereux entre les mains d'utilisateurs novices.
- Observer la maintenance de l'outil. Vérifier qu'il n'y a pas de mauvais alignement ou de blocage des parties mobiles, des pièces cassées ou toute autre condition pouvant affecter le fonctionnement de l'outil. En cas de dommages, faire réparer l'outil avant de l'utiliser. De nombreux accidents sont dus à des outils mal entretenus.
- Garder affûtés et propres les outils permettant de couper. Des outils destinés à couper correctement entretenus avec des pièces coupantes tranchantes sont moins susceptibles de bloquer et sont plus faciles à contrôler.
- Utiliser l'outil, les accessoires et les lames etc., conformément à ces instructions, en tenant compte des conditions de travail et du travail à réaliser. L'utilisation de l'outil pour des opérations différentes de celles prévues pourrait donner lieu à des situations dangereuses.

MAINTENANCE ET ENTRETIEN

Faire entretenir l'outil par un réparateur qualifié utilisant uniquement des pièces de rechange identiques. Cela assurera que la sécurité de l'outil est maintenue.

INSTRUCTIONS DE SÉCURITÉ POUR MEULEUSES ANGULAIRES

AVERTISSEMENTS DE SÉCURITÉ COMMUNS POUR LES OPÉRATIONS DE MEULAGE, DE PONÇAGE, DE BROSSAGE MÉTALLIQUE, OU DE TRONÇONNAGE PAR MEULE ABRASIVE

- Cet outil électrique est destiné à fonctionner comme meuleuse, ponceuse, brosse métallique ou outil à tronçonner. Lire toutes les mises en garde de sécurité, les instructions, les illustrations et les spécifications fournies avec cet outil électrique. Le fait de ne pas suivre toutes les instructions données ci-dessous peut provoquer un choc électrique, un incendie et/ou une blessure grave.
- Les opérations de lustrage ne sont pas recommandées avec cet outil électrique. Les opérations pour lesquelles l'outil électrique n'a pas été conçu peuvent provoquer un danger et causer un accident corporel.
- Ne pas utiliser d'accessoires non conçus spécifiquement et recommandés par le fabricant d'outils. Le simple fait que l'accessoire puisse être fixé à votre outil électrique ne garantit pas un fonctionnement en toute sécurité.
- La vitesse assignée de l'accessoire doit être au moins égale à la vitesse maximale indiquée sur l'outil électrique. Les accessoires fonctionnant plus vite que leur vitesse assignée peuvent se rompre et voler en éclat.
- Le diamètre extérieur et l'épaisseur de votre accessoire doivent se situer dans le cadre des caractéristiques de capacité de votre outil électrique. Les accessoires dimensionnés de façon incorrecte ne peuvent pas être protégés ou commandés de manière appropriée.
- Le montage fileté d'accessoires doit être adapté au filet de l'arbre de la meuleuse. Pour les accessoires montés avec des flasques, l'alésage central de l'accessoire doit s'adapter correctement au diamètre du flasque. Les accessoires qui ne correspondent pas aux éléments de montage de l'outil électrique seront en déséquilibre, vibreront de manière excessive et pourront provoquer une perte de contrôle.
- Ne pas utiliser d'accessoire endommagé. Avant chaque utilisation examiner les accessoires comme les meules abrasives pour détecter la présence éventuelle de copeaux et fissures, les patins d'appui pour détecter des traces éventuelles de fissures, de déchirure ou d'usure excessive, ainsi que les brosses métalliques pour détecter des fils desserrés ou fissurés. Si l'outil électrique ou l'accessoire a subi une chute, examiner les dommages éventuels ou installer un accessoire non endommagé. Après examen et installation d'un accessoire, placez-vous ainsi que les personnes présentes à distance du plan de l'accessoire rotatif et faites marcher l'outil électrique à vitesse maximale à vide pendant 1 min. Les accessoires endommagés seront normalement détruits pendant cette période d'essai.
- Porter un équipement de protection individuelle. En fonction de l'application, utiliser un écran facial, des lunettes de sécurité ou des verres de sécurité. Le cas échéant, utiliser un masque antipoussières, des protections auditives, des gants et un tablier capables

d'arrêter les petits fragments abrasifs ou des pièces à usiner. La protection oculaire doit être capable d'arrêter les débris volants produits par les diverses opérations. Le masque antipoussières ou le respirateur doit être capable de filtrer les particules produites par vos travaux. L'exposition prolongée aux bruits de forte intensité peut provoquer une perte de l'audition.

- Maintenir les personnes présentes à une distance de sécurité par rapport à la zone de travail. Toute personne entrant dans la zone de travail doit porter un équipement de protection individuelle. Des fragments de pièce à usiner ou d'un accessoire cassé peuvent être projetés et provoquer des blessures en dehors de la zone immédiate d'opération.
- Tenir l'outil uniquement par les surfaces de préhension isolantes, pendant les opérations au cours desquelles l'accessoire coupant peut être en contact avec des conducteurs cachés ou avec son propre câble. Le contact de l'accessoire coupant avec un fil «sous tension» peut mettre «sous tension» les parties métalliques exposées de l'outil électrique et provoquer un choc électrique sur l'opérateur.
- Placer le câble éloigné de l'accessoire de rotation. Si vous perdez le contrôle, le câble peut être coupé ou subir un accroc et votre main ou votre bras peut être tiré dans l'accessoire en rotation.
- Ne jamais reposer l'outil électrique avant que l'accessoire n'ait atteint un arrêt complet. L'accessoire de rotation peut agripper la surface et arracher l'outil électrique hors de votre contrôle.
- Ne pas faire fonctionner l'outil électrique en le portant sur le côté. Un contact accidentel avec l'accessoire en rotation pourrait accrocher vos vêtements et attirer l'accessoire sur vous.
- Nettoyer régulièrement les orifices d'aération de l'outil électrique. Le ventilateur du moteur attirera la poussière à l'intérieur du boîtier et une accumulation excessive de poudre de métal peut provoquer des dangers électriques.
- Ne pas faire fonctionner l'outil électrique à proximité de matériaux inflammables. Des étincelles pourraient enflammer ces matériaux.
- Ne pas utiliser d'accessoires qui nécessitent des réfrigérants fluides. L'utilisation d'eau ou d'autres réfrigérants fluides peut aboutir à une électrocution ou un choc électrique.

REBONDS ET MISES EN GARDE CORRESPONDANTES

- Le rebond est une réaction soudaine au pincement ou à l'accrochage d'une meule rotative, d'un patin d'appui, d'une brosse ou de tout autre accessoire. Le pincement ou l'accrochage provoque un blocage rapide de l'accessoire en rotation qui, à son tour, contraint l'outil électrique hors de contrôle dans le sens opposé de rotation de l'accessoire au point du grippage. Par exemple, si une meule abrasive est accrochée ou pincée par la pièce à usiner, le bord de la meule qui entre dans le point de pincement peut creuser la surface du matériau, provoquant des sauts ou l'expulsion de la meule. La meule peut sauter en direction de l'opérateur ou encore en s'en éloignant, selon le sens du mouvement de la meule au point de pincement. Les meules abrasives peuvent également se rompre dans ces conditions. Le rebond résulte d'un mauvais usage de l'outil et/ou de procédures ou de conditions de fonctionnement incorrectes et peut être évité en pre-

nant les précautions appropriées spécifiées ci-dessous.

- Maintenir solidement l'outil et positionner le corps et le bras de manière à pouvoir résister aux forces de rebond. Toujours utiliser la poignée auxiliaire, le cas échéant, pour contrôler au maximum les rebonds ou les réactions de couple au moment du démarrage. L'opérateur est en mesure de contrôler les réactions de couple ou les forces de rebond, si des précautions appropriées ont été prises.
- Ne jamais placer votre main à proximité de l'accessoire en rotation. L'accessoire peut effectuer un rebond sur votre main.
- Ne pas vous placer dans la zone où l'outil électrique se déplacera en cas de rebond. Le rebond pousse l'outil dans le sens opposé au mouvement de la meule au point d'accrochage.
- Être particulièrement prudent lors d'opérations sur des coins, des arêtes vives etc. Éviter que l'accessoire ne rebondisse et ne s'accroche. Les coins, les arêtes vives ou les rebondissements ont tendance à accrocher l'accessoire en rotation et à provoquer une perte de contrôle ou un rebond.
- Ne pas fixer de chaîne coupante, de lame de sculpture sur bois ni de lame de scie dentée. De telles lames provoquent des rebonds fréquents et des pertes de contrôle.

MISES EN GARDE DE SÉCURITÉ SPÉCIFIQUES AUX OPÉRATIONS DE MEULAGE ET DE TRONÇONNAGE ABRASIF

- Utiliser uniquement des types de meules recommandés pour votre outil électrique et le protecteur spécifique conçu pour la meule choisie. Les meules pour lesquelles l'outil électrique n'a pas été conçu ne peuvent pas être protégées de façon satisfaisante et sont dangereuses.
- La surface de meulage des meules à moyeu déporté doit être montée sous le plan de la lèvre du protecteur. Une meule montée de manière incorrecte qui dépasse du plan de la lèvre du protecteur ne peut pas être protégée de manière appropriée.
- Le protecteur doit être solidement fixé à l'outil électrique et placé en vue d'une sécurité maximale, de sorte que l'opérateur soit exposé le moins possible à la meule. Le protecteur permet de protéger l'opérateur des fragments de meule cassée, d'un contact accidentel avec la meule et d'étincelles susceptibles d'enflammer les vêtements.
- Les meules doivent être utilisées uniquement pour les applications recommandées. Par exemple : ne pas meuler avec le côté de la meule à tronçonner. Les meules à tronçonner abrasives sont destinées au meulage périphérique, l'application de forces latérales à ces meules peut les briser en éclats.
- Toujours utiliser des flasques de meule non endommagés qui sont de taille et de forme correctes pour la meule que vous avez choisie. Des flasques de meule appropriés supportent la meule réduisant ainsi la possibilité de rupture de la meule. Les flasques pour les meules à tronçonner peuvent être différents des autres flasques de meule.
- Ne pas utiliser de meules usées d'outils électriques plus grands. La meule destinée à un outil électrique plus grand n'est pas appropriée pour la vitesse plus élevée d'un outil plus petit et elle peut éclater.

MISES EN GARDE DE SÉCURITÉ ADDITIONNELLES SPÉCIFIQUES AUX OPÉRATIONS DE TRONÇONNAGE ABRASIF

- Ne pas «coincer» la meule à tronçonner ou ne pas appliquer une pression excessive. Ne pas tenter d'exécuter une profondeur de coupe excessive. Une contrainte excessive de la meule augmente la charge et la probabilité de torsion ou de blocage de la meule dans la coupe et la possibilité de rebond ou de rupture de la meule.
- Ne pas vous placer dans l'alignement de la meule en rotation ni derrière celle-ci. Lorsque la meule, au point de fonctionnement, s'éloigne de votre corps, le rebond éventuel peut propulser la meule en rotation et l'outil électrique directement sur vous.
- Lorsque la meule se bloque ou lorsque la coupe est interrompue pour une raison quelconque, mettre l'outil électrique hors tension et tenir l'outil électrique immobile jusqu'à ce que la meule soit à l'arrêt complet. Ne jamais tenter d'enlever le disque à tronçonner de la coupe tandis que la meule est en mouvement sinon le rebond peut se produire. Rechercher et prendre des mesures correctives afin d'empêcher que la meule ne se grippe.
- Ne pas démarrer de nouveau le travail directement sur la pièce. Laissez le disque atteindre sa vitesse maximale et entrer en contact avec la pièce prudemment. Le disque peut s'accrocher, se soulever brusquement ou avoir un mouvement arrière si l'appareil est redémarré en charge.
- Prévoir un support de panneaux ou de toute pièce à usiner surdimensionnée pour réduire le risque de pincement et de rebond de la meule. Les grands pièces à usiner ont tendance à fléchir sous leur propre poids. Les supports doivent être placés sous la pièce à usiner près de la ligne de coupe et près du bord de la pièce des deux côtés de la meule.
- Soyez particulièrement prudent lorsque vous faites une « coupe en retrait » dans des parois existantes ou dans d'autres zones sans visibilité. La meule saillante peut couper des tuyaux de gaz ou d'eau, des câblages électriques ou des objets, ce qui peut entraîner des rebonds.

MISES EN GARDE DE SÉCURITÉ SPÉCIFIQUES AUX OPÉRATIONS DE PONÇAGE

- Ne pas utiliser de papier abrasif trop surdimensionné pour les disques de ponçage. Suivre les recommandations des fabricants, lors du choix du papier abrasif. Un papier abrasif plus grand s'étendant au-delà du patin de ponçage présente un danger de lacération et peut provoquer un accrochage, une déchirure du disque ou un rebond.

MISES EN GARDE DE SÉCURITÉ SPÉCIFIQUES AUX OPÉRATIONS DE BROSSAGE MÉTALLIQUE

- Garder à l'esprit que des brins métalliques sont rejetés par la brosse même au cours d'une opération ordinaire. Ne pas soumettre à une trop grande contrainte les fils métalliques en appliquant une charge excessive à la brosse. Les brins métalliques peuvent aisément pénétrer dans des vêtements légers et/ou la peau.
- Si l'utilisation d'un protecteur est recommandée pour le brossage métallique, ne permettre aucune gêne du touret ou de la brosse métallique au protecteur. Le touret ou la brosse métallique peut se dilater en dia-


mètre en raison de la charge de travail et des forces centrifuges.

AVERTISSEMENTS SUPPLÉMENTAIRES

- ▶ Portez toujours des lunettes de protection.
- ▶ Utiliser des détecteurs appropriés afin de déceler des conduites cachées ou consulter les entreprises d'approvisionnement locales. Un contact avec des lignes électriques peut provoquer un incendie ou un choc électrique. Un endommagement d'une conduite de gaz peut provoquer une explosion. La perforation d'une conduite d'eau provoque des dégâts matériels et peut provoquer un choc électrique.
- ▶ Déverrouiller l'interrupteur Marche/Arrêt et le mettre dans la position d'arrêt, si l'alimentation en courant est interrompue, par ex. par une panne de courant ou quand la fiche du secteur est débranchée.
- ▶ Ne touchez pas les disques à meuler et à tronçonner avant qu'ils ne se soient complètement refroidis. Les disques peuvent chauffer énormément durant le travail.
- ▶ Bloquer la pièce à travailler. Une pièce à travailler serrée par des dispositifs de serrage appropriés ou dans un étau est fixée de manière plus sûre que tenue dans les mains.

BRANCHEMENT SUR L'ALIMENTATION

Assurez-vous que les informations sur l'alimentation indiquées sur la plaque signalétique de la machine, soient compatibles avec l'alimentation à laquelle vous avez l'intention de la brancher. Cet appareil est de Classe II* et est prévu pour être raccordé à une alimentation correspondant à celle indiquée sur l'étiquette, et compatible avec la prise de courant installée. Si une rallonge est nécessaire, utilisez un fil approuvé et compatible pour cet appareil. Suivez toutes les instructions fournies avec la rallonge.

*Double isolation  : Ce produit ne nécessite aucune mise à la terre car l'isolation principale est équipée d'une isolation supplémentaire, pour protéger contre les électrocutions en cas de défaut de l'isolation principale.

CONSEILS D'UTILISATION DES RALLONGES

- ▶ Assurez-vous que votre rallonge soit en bon état. Lorsque vous utilisez une rallonge, assurez-vous d'en utiliser une assez résistante pour faire circuler le courant que le rabot consommera. Un cordon sous-dimensionné provoquera une chute de tension, entraînant une perte de puissance et une surchauffe.
- ▶ Remplacez toujours une rallonge endommagée, ou faites-la réparer par une personne qualifiée avant de l'utiliser.
- ▶ Protégez vos rallonges des objets pointus, de la chaleur excessive et des zones humides / mouillées.
- ▶ Utilisez un autre circuit électrique pour vos outils. Ce circuit doit être protégé grâce à un fusible à fusion lente. Avant de brancher le moteur à l'alimentation, assurez-vous que l'interrupteur soit sur la position OFF, et que la tension électrique soit la même que celle indiquée sur la plaque signalétique du moteur. Faire fonctionner le moteur sur une tension d'une valeur inférieure, l'endommagera.

SPÉCIFICATIONS DU PRODUIT

UTILISATION PRÉVUE

L'outil électroportatif est conçu pour le tronçonnage, le meulage et le broissage de métaux et de pierres sans utilisation d'eau.

SPÉCIFICATIONS TECHNIQUES

Art N°	41628	
Modèle	AG 115/750 PLUS	
Tension nominale	V	230-240
	Hz	50/60
Puissance nominale absorbée	W	750
Vitesse de rotation nominale	min ⁻¹	12.000
Diamètre max. de la meule	mm	115
Filetage de broche	M	14
Longueur max. filetage de broche de meulage	mm	11,5
Poids	kg	1,7

Valeurs d'émissions sonores déterminées selon la norme EN 60745-1

Les mesures réelles (A) des niveaux sonores de l'appareil sont:

Niveau de pression acoustique	dB(A)	90
Niveau d'intensité acoustique	dB(A)	101
Incertitude K	dB	3

Valeurs totales des vibrations a_h (somme vectorielle des trois axes directionnels) et incertitude K relevées conformément à la norme EN 60745-1

Niveau de vibration:

$a_{h,AG}$	m/s ²	6,559
K	m/s ²	1,5

NIVEAU SONORE ET VIBRATIONS

Le niveau d'oscillation indiqué dans ces instructions d'utilisation a été mesuré conformément à la norme EN 60745 et peut être utilisé pour une comparaison d'outils électroportatifs. Il est également approprié pour une estimation préliminaire de la charge vibratoire.

Le niveau d'oscillation correspond aux utilisations principales de l'outil électroportatif. Si l'outil électrique est néanmoins utilisé pour d'autres applications, avec différents accessoires ou d'autres outils de travail ou s'il est mal entretenu, le niveau d'oscillation peut être différent. Ceci peut augmenter considérablement la charge vibratoire pendant toute la durée de travail.

Pour une estimation précise de la charge vibratoire, il est recommandé de prendre aussi en considération les périodes pendant lesquelles l'appareil est éteint ou en fonctionnement, mais pas vraiment utilisé. Ceci peut réduire considérablement la charge vibratoire pendant toute la durée de travail. Déterminez des mesures de protec-

tion supplémentaires pour protéger l'utilisateur des effets des vibrations, telles que par exemple: Entretien de l'outil électrique et des outils de travail, maintenir les mains chaudes, organisation des opérations de travail.

IDENTIFICATION

1. Interrupteur Marche/Arrêt
2. Dispositif de blocage de broche
3. Poignée supplémentaire
4. Protège-main
5. Vis du protège-main
6. Arbre
7. Bride de serrage
8. Clé
9. Bride de montage

UTILISATION

MONTAGE DES ACCESSOIRES (E)

- Nettoyez l'arbre (06) ainsi que toutes les pièces à monter.
- Serrez la bride de serrage (07) avec la clé (08) tout en appuyant sur le bouton de blocage de l'arbre (02).
- Procédez dans l'ordre inverse pour démonter les accessoires

MONTAGE DE LA POIGNÉE AUXILIAIRE (C)

En fonction du mode de travail, vissez la poignée supplémentaire (03) du côté droit ou gauche du carter d'engrenage.

DÉMONTAGE / MONTAGE / RÉGLAGE DU PROTÈGE-MAIN (B)

- Ouvrez le protège-main (04) en desserrant la vis (05).
- Disposez le protège-main (04) sur le collier d'arbre de la tête d'outil et le tournez en position adéquate (selon le travail à effectuer).
- Fixez le protège-main (04) en serrant la vis (05).

AVANT TOUTE UTILISATION

- Assurez-vous que l'accessoire soit correctement monté et fermement serré.
- Vérifiez manuellement que l'accessoire tourne aisément.
- Testez l'outil à vide au moins 60 secondes à vitesse maximum dans une position de sécurité
- Arrêtez l'outil immédiatement dans le cas de vibrations considérables ou la présence d'autres défauts et vérifiez l'outil pour en déterminer la cause

MISE EN MARCHE/ARRÊT (D)

- Pour mettre en marche l'outil électroportatif, poussez l'interrupteur Marche/Arrêt (01) vers l'avant.
- Pour bloquer l'interrupteur Marche/Arrêt (01), appuyez sur l'interrupteur Marche/Arrêt (01) jusqu'à ce qu'il s'enclenche.
- Pour arrêter l'outil électroportatif, relâchez l'interrupteur Marche/Arrêt (01) ou, s'il a été bloqué, appuyez brièvement sur la partie arrière de l'interrupteur Marche/Arrêt (01), puis relâchez ce dernier.

MEULAGE

- Avec un angle d'inclinaison de 30° à 40°, on obtient les meilleurs résultats lors des travaux de dégrossissage. Guidez l'outil électroportatif de façon régulière en exerçant une pression modérée. Ceci évite un échauf-

fement excessif de la pièce à travailler, elle ne change pas de couleur et il n'y a pas de stries.

- N'utilisez jamais de disques à tronçonner pour les travaux de dégrossissage

TRONÇONNAGE

- Ne pas inclinez l'outil pendant le tronçonnage.
- Toujours déplacez l'outil dans la même direction marquée par la flèche sur la tête, afin d'éviter que l'outil ne sorte avec violence de l'entaille
- Ne jamais appliquez une trop forte pression sur l'outil; laissez au disque le soin de faire le travail de par sa propre vitesse
- La vitesse de travail du disque de tronçonnage dépend du matériau à tronçonner
- Ne pas freinez les disques de tronçonnage en appliquant une pression latérale

MAINTENANCE

Une inspection et un nettoyage réguliers minimisent la maintenance, et votre outil sera toujours en bon état. Le moteur doit être correctement ventilé lorsque vous utilisez l'outil. Pour cette raison évitez de boucher les aérations.

PROTECTION ENVIRONNEMENTALE



Recycler les matières premières au lieu de les éliminer comme des déchets. L'outil, les accessoires et les emballages doivent être triés afin d'assurer un recyclage respectueux de l'environnement. Les composants en plastique sont étiquetés afin d'assurer un recyclage adéquate.

EXPLICATION DES SYMBOLES



Double insulation



À usage intérieur uniquement. Ne pas exposer à la pluie.



- Porter des lunettes de protection.
- Dommages aux poumons si un masque antipoussière efficace n'est pas porté.
- Dommages à l'audition si une protection auditive efficace n'est pas portée.



Porter des gants de protection



Ne pas utiliser d'engrenage de meulage écaillé, craqué ou défectueux



Afin de minimiser les risques de blessures, l'utilisateur doit lire et assimiler ce manuel avant d'utiliser ce produit.



Important!



Conforme aux normes de sécurité concernées

GARANTIE

Le produit est garanti conformément aux réglementations légales / nationales, à compter de la date d'achat par le premier utilisateur. Tout dommage attribuable à une usure normale, à une surcharge ou à une utilisation incorrecte de l'outil sera exclu de la garantie. En cas de réclamation, envoyer l'outil, intégralement assemblé, à votre revendeur ou à un Centre de réparation des outils électriques.

DÉCLARATION DE CONFORMITÉ 

- Nous déclarons sous notre propre responsabilité que ce produit est en conformité avec les normes ou documents normalisés suivants: EN 60745-1, EN 60745-2-3, EN 55014-1, EN 55014-2, EN 61000-3-2, EN 61000-3-3 conforme aux réglementations 2006/42/EC, 2014/30/EU.
- **Dossier technique auprès de:**
FF GROUP TOOL INDUSTRIES S.A.,
19300, Aspropyrgos-Greece

Loudovikos Tsirigiotis
Operations & Engineering

FF GROUP TOOL INDUSTRIES S.A., 19300
Aspropyrgos-Greece. 03/09/2018


ITALIANO**AVVERTENZE GENERALI DI PERICOLO PER ELETTROUTENSILI**

Leggere tutte le avvertenze di pericolo e le istruzioni operative. In caso di mancato rispetto delle avvertenze di pericolo e delle istruzioni operative si potrà creare il pericolo di scosse elettriche, incendi e/o incidenti gravi. Conservare tutte le avvertenze di pericolo e le istruzioni operative per ogni esigenza futura. Il termine «elettrotensile» utilizzato nelle avvertenze di pericolo si riferisce ad utensili elettrici alimentati dalla rete (con linea di allacciamento) ed ad utensili elettrici alimentati a batteria (senza linea di allacciamento).

SICUREZZA DELL' AREA DI LAVORO

- Tenere la postazione di lavoro sempre pulita e ben illuminata. Il disordine oppure zone della postazione di lavoro non illuminate possono essere causa di incidenti.
- Evitare d'impiegare l'elettrotensile in ambienti soggetti al rischio di esplosioni nei quali si abbia presenza di liquidi, gas o polveri infiammabili. Gli elettrotensili producono scintille che possono far infiammare la polvere o i gas.
- Tenere lontani i bambini ed altre persone durante l'impiego dell'elettrotensile. Eventuali distrazioni potranno comportare la perdita del controllo sull'elettrotensile

SICUREZZA ELETTRICA

- La spina di allacciamento alla rete dell'elettrotensile deve essere adatta alla presa. Evitare assolutamente di apportare modifiche alla spina. Non impiegare spine adattatrici assieme ad elettrotensili dotati di collegamento a terra. Le spine non modificate e le prese adatte allo scopo riducono il rischio di scosse elettriche.
- Evitare il contatto fisico con superfici collegate a terra, come tubi, riscaldamenti, cucine elettriche e frigoriferi. Sussiste un maggior rischio di scosse elettriche nel momento in cui il corpo è messo a massa.
- Custodire l'elettrotensile al riparo dalla pioggia o dall'umidità. La penetrazione dell'acqua in un elettrotensile aumenta il rischio di una scossa elettrica.
- Non usare il cavo per scopi diversi da quelli previsti ed, in particolare, non usarlo per trasportare o per appendere l'elettrotensile oppure per estrarre la spina dalla presa di corrente. Non avvicinare il cavo a fonti di calore, olio, spigoli taglienti e neppure a parti della macchina che siano in movimento. I cavi danneggiati o aggrovigliati aumentano il rischio d'insorgenza di scosse elettriche.
- Qualora si voglia usare l'elettrotensile all'aperto, impiegare solo ed esclusivamente cavi di prolunga che siano adatti per l'impiego all'esterno. L'uso di un cavo di prolunga omologato per l'impiego all'esterno riduce il rischio d'insorgenza di scosse elettriche.
- Qualora non fosse possibile evitare di utilizzare l'elettrotensile in ambiente umido, utilizzare un interruttore di sicurezza. L'uso di un interruttore di sicurezza riduce il rischio di una scossa elettrica.

SICUREZZA DELLE PERSONE

- È importante concentrarsi su ciò che si sta facendo e maneggiare con giudizio l'elettrotroutensile durante le operazioni di lavoro. Non utilizzare mai l'elettrotroutensile in caso di stanchezza oppure quando ci si trovi sotto l'effetto di droghe, bevande alcoliche e medicinali. Un attimo di distrazione durante l'uso dell'elettrotroutensile può essere causa di gravi incidenti.
- Indossare sempre equipaggiamento protettivo individuale nonché occhiali protettivi. Indossando abbigliamento di protezione personale come la maschera per polveri, scarpe di sicurezza che non scivolano, elmetto di protezione oppure protezione acustica a seconda del tipo e dell'applicazione dell'elettrotroutensile, si riduce il rischio di incidenti.
- Evitare l'accensione involontaria dell'elettrotroutensile. Prima di collegarlo alla rete di alimentazione elettrica e/o alla batteria ricaricabile, prima di prenderlo oppure prima di iniziare a trasportarlo, assicurarsi che l'elettrotroutensile sia spento. Tenendo il dito sopra l'interruttore mentre si trasporta l'elettrotroutensile oppure collegandolo all'alimentazione di corrente con l'interruttore inserito, si vengono a creare situazioni pericolose in cui possono verificarsi seri incidenti.
- Prima di accendere l'elettrotroutensile togliere gli atri di regolazione o la chiave inglese. Un accessorio oppure una chiave che si trovi in una parte rotante della macchina può provocare seri incidenti.
- Evitare una posizione anomala del corpo. Avere cura di mettersi in posizione sicura e di mantenere l'equilibrio in ogni situazione. In questo modo è possibile controllare meglio l'elettrotroutensile in caso di situazioni inaspettate.
- Indossare vestiti adeguati. Non indossare vestiti larghi, né portare bracciali e catenine. Tenere i capelli, i vestiti ed i guanti lontani da pezzi in movimento. Vestiti lenti, gioielli o capelli lunghi potranno impigliarsi in pezzi in movimento.
- In caso fosse previsto il montaggio di dispositivi di aspirazione della polvere e di raccolta, assicurarsi che gli stessi siano collegati e che vengano utilizzati correttamente. L'utilizzo di un'aspirazione polvere può ridurre lo svilupparsi di situazioni pericolose dovute alla polvere.

TRATTAMENTO ACCURATO ED USO CORRETTO DEGLI ELETTROTROUTENSILI

- Non sottoporre la macchina a sovraccarico. Per il proprio lavoro, utilizzare esclusivamente l'elettrotroutensile esplicitamente previsto per il caso. Con un elettrotroutensile adatto si lavora in modo migliore e più sicuro nell'ambito della sua potenza di prestazione.
- Non utilizzare mai elettrotroutensili con interruttori difettosi. Un elettrotroutensile con l'interruttore rotto è pericoloso e deve essere aggiustato.
- Prima di procedere ad operazioni di regolazione sulla macchina, prima di sostituire parti accessorie oppure prima di posare la macchina al termine di un lavoro, estrarre sempre la spina dalla presa della corrente e/o estrarre la batteria ricaricabile. Tale precauzione eviterà che l'elettrotroutensile possa essere messo in funzione involontariamente.
- Quando gli elettrotroutensili non vengono utilizzati, conservarli al di fuori del raggio di accesso di bambini. Non fare usare l'elettrotroutensile a persone che

non siano abituate ad usarlo o che non abbiano letto le presenti istruzioni. Gli elettrotroutensili sono macchine pericolose quando vengono utilizzati da persone non dotate di sufficiente esperienza.

- Eseguire la manutenzione dell'elettrotroutensile operando con la dovuta diligenza. Accertarsi che le parti mobili della macchina funzionino perfettamente, che non s'inceppino e che non ci siano pezzi rotti o danneggiati al punto da limitare la funzione dell'elettrotroutensile stesso. Prima di iniziare l'impiego, far riparare le parti danneggiate. Numerosi incidenti vengono causati da elettrotroutensili la cui manutenzione è stata effettuata poco accuratamente.
- Mantenere gli utensili da taglio sempre affilati e puliti. Gli utensili da taglio curati con particolare attenzione e con taglietti affilati s'inceppano meno frequentemente e sono più facili da condurre.
- Utilizzare l'elettrotroutensile, gli accessori opzionali, gli utensili per applicazioni specifiche ecc., sempre attenendosi alle presenti istruzioni. Così facendo, tenere sempre presente le condizioni di lavoro e le operazioni da eseguire. L'impiego di elettrotroutensili per usi diversi da quelli consentiti potrà dar luogo a situazioni di pericolo.

ASSISTENZA

Fare riparare l'elettrotroutensile solo ed esclusivamente da personale specializzato e solo impiegando pezzi di ricambio originali. In tale maniera potrà essere salvaguardata la sicurezza dell'elettrotroutensile.

INDICAZIONI DI SICUREZZA PER LEVIGATRICI ANGOLARI

ISTRUZIONI DI SICUREZZA GENERALI PER LAVORI DI LEVIGATURA, LEVIGATURA CON CARTA VETRATA, LAVORI CON SPAZZOLE METALLICHE E TRONCATURA

- Questo elettrotroutensile è previsto per essere utilizzato come levigatrice, levigatrice per carta a vetro, spazzola metallica e troncatrice. Attenersi a tutte le avvertenze di pericolo, istruzioni, rappresentazioni e dati che si ricevono con l'elettrotroutensile. In caso di mancata osservanza delle seguenti istruzioni vi è il pericolo di provocare una scossa elettrica, di sviluppare incendi e/o di provocare seri incidenti.
- Questo elettrotroutensile non è adatto per operazioni di lucidatura. Utilizzando l'elettrotroutensile per applicazioni non esplicitamente previste per lo stesso, si vengono a sviluppare situazioni pericolose e si provocano incidenti.
- Non utilizzare nessun accessorio che la casa costruttrice non abbia esplicitamente previsto e raccomandato per questo elettrotroutensile. Il semplice fatto che un accessorio possa essere fissato al Vostro elettrotroutensile non è una garanzia per un impiego sicuro.
- Il numero di giri ammesso dell'accessorio impiegato deve essere almeno tanto alto quanto il numero massimo di giri riportato sull'elettrotroutensile. Un accessorio che gira più rapidamente di quanto consentito può rompersi in vari pezzi e venir lanciato intorno.
- Il diametro esterno e lo spessore dell'accessorio montato devono corrispondere ai dati delle dimensioni dell'elettrotroutensile in dotazione. In caso di utilizzo di portautensili e di accessori di dimensioni sbagliate

non sarà possibile schermanli oppure controllarli a sufficienza.

- ▶ Accessori con filetto riportato devono essere adatti in modo preciso alla filettatura dell'alberino. Negli accessori che vengono montati tramite flangia, il diametro del foro dell'accessorio deve corrispondere al diametro di alloggiamento della flangia. Accessori che non vengono fissati in modo preciso all'elettrotensile non ruotano in modo uniforme, vibrano molto forte e possono provocare la perdita del controllo.
- ▶ Non utilizzare mai portautensili od accessori danneggiati. Prima di ogni utilizzo controllare i portautensili e gli accessori ed accertarsi che sui dischi abrasivi non vi siano scheggiature o crepature, che il platorello non sia soggetto ad incrinature, crepature o forte usura e che le spazzole metalliche non abbiano fili metallici allentati oppure rotti. Se l'elettrotensile oppure l'accessorio impiegato dovesse sfuggire dalla mano e cadere, accertarsi che questo non abbia subito nessun danno oppure utilizzare un accessorio intatto. Una volta controllato e montato il portautensili o accessorio, far funzionare l'elettrotensile per la durata di un minuto con il numero massimo di giri avendo cura di tenersi lontani e di impedire anche ad altre persone presenti di avvicinarsi al portautensili o accessorio in rotazione. Nella maggior parte dei casi i portautensili o accessori danneggiati si rompono nel corso di questo periodo di prova.
- ▶ Indossare abbigliamento di protezione. A seconda dell'applicazione in corso utilizzare una visiera completa, maschera di protezione per gli occhi oppure occhiali di sicurezza. Per quanto necessario, portare maschere per polveri, protezione acustica, guanti di protezione oppure un grembiule speciale in grado di proteggervi da piccole particelle di levigatura o di materiale. Gli occhi dovrebbero essere protetti da corpi estranei espulsi in aria nel corso di diverse applicazioni. La maschera antipolvere e la maschera respiratoria devono essere in grado di filtrare la polvere provocata durante l'applicazione. Esponendosi per lungo tempo ad un rumore troppo forte vi è il pericolo di perdere l'udito.
- ▶ Avere cura di evitare che altre persone possano avvicinarsi alla zona in cui si sta lavorando. Ogni persona che entra nella zona di operazione deve indossare un abbigliamento protettivo personale. Frammenti del pezzo in lavorazione oppure utensili rotti possono volar via oppure provocare incidenti anche al di fuori della zona diretta di lavoro.
- ▶ Tenere l'apparecchio esclusivamente per le superfici isolate dell'impugnatura qualora venissero effettuati lavori durante i quali l'accessorio potrebbe venire a contatto con cavi elettrici nascosti oppure con il proprio cavo di rete. Il contatto con un cavo sotto tensione può mettere sotto tensione anche parti metalliche dell'apparecchio, causando una scossa elettrica.
- ▶ Tenere il cavo di collegamento elettrico sempre lontano da portautensili o accessori in rotazione. Se si perde il controllo sull'elettrotensile vi è il pericolo di troncarsi o di colpire il cavo di collegamento elettrico e la Vostra mano o braccio può arrivare a toccare il portautensili o accessorio in rotazione.
- ▶ Mai poggiare l'elettrotensile prima che il portautensili o l'accessorio impiegato non si sia fermato completamente. L'utensile in rotazione può entrare in contatto con la superficie di appoggio facendovi perdere il controllo sulla macchina pneumatica.

- ▶ Mai trasportare l'elettrotensile mentre questo dovesse essere ancora in funzione. Attraverso un contatto casuale l'utensile in rotazione potrebbe fare presa sugli indumenti oppure sui capelli dell'operatore e potrebbe arrivare a ferire seriamente il corpo dell'operatore.
- ▶ Pulire regolarmente le feritoie di ventilazione dell'elettrotensile in dotazione. Il ventilatore del motore attira polvere nella carcassa ed una forte raccolta di polvere di metallo può provocare pericoli di origine elettrica.
- ▶ Non utilizzare mai l'elettrotensile nelle vicinanze di materiali infiammabili. Le scintille possono far prendere fuoco questi materiali.
- ▶ Non utilizzare mai accessori che richiedano refrigeranti liquidi. L'utilizzo di acqua o di altri liquidi refrigeranti può provocare una scossa di corrente elettrica.

CONTRACCOLPO E RELATIVE AVVERTENZE DI PERICOLO

- ▶ Un contraccolpo è l'improvvisa reazione in seguito ad agganciamento oppure blocco di accessorio in rotazione come può essere un disco abrasivo, platorello, spazzola metallica ecc.. Agganciandosi oppure bloccandosi il portautensili o accessorio provoca un arresto improvviso della rotazione dello stesso. In questo caso l'operatore non è più in grado di controllare l'elettrotensile ed al punto di blocco si provoca un rimbalzo dello stesso che avviene nella direzione opposta a quella della rotazione del portautensili o dell'accessorio. Se p. es. un disco abrasivo resta agganciato o bloccato nel pezzo in lavorazione, il bordo del disco abrasivo che si abbassa nel pezzo in lavorazione può rimanere impigliato provocando in questo modo una rottura oppure un contraccolpo del disco abrasivo. Il disco abrasivo si avvicina o si allontana dall'operatore a seconda della direzione di rotazione che ha nel momento in cui si blocca. In tali situazioni è possibile che le mole abrasive possano anche rompersi. Un contraccolpo è la conseguenza di un utilizzo non appropriato oppure non corretto dell'elettrotensile. Esso può essere evitato soltanto prendendo misure adatte di sicurezza come dalla descrizione che segue.
- ▶ Tenere sempre ben saldo l'elettrotensile e portare il proprio corpo e le proprie braccia in una posizione che Vi permetta di compensare le forze di contraccolpo. Se disponibile, utilizzare sempre l'impugnatura supplementare in modo da poter avere sempre il maggior controllo possibile su forze di contraccolpi oppure momenti di reazione che si sviluppano durante la fase in cui la macchina raggiunge il regime di pieno carico. Prendendo appropriate misure di precauzione l'operatore può essere in grado di tenere sotto controllo le forze di contraccolpo e quelle di reazione a scatti.
- ▶ Mai avvicinare la propria mano alla zona degli utensili in rotazione. Nel corso dell'azione di contraccolpo il portautensili o accessorio potrebbe passare sulla Vostra mano.
- ▶ Evitare di avvicinarsi con il proprio corpo alla zona in cui l'elettrotensile viene mosso in caso di un contraccolpo. Un contraccolpo provoca uno spostamento improvviso dell'elettrotensile che si sviluppa nella direzione opposta a quella della rotazione della mola abrasiva al punto di blocco.
- ▶ Operare con particolare attenzione in prossimità di spigoli, spigoli taglienti ecc.. Avere cura di impedire che portautensili o accessori possano rimbalzare dal pezzo

in lavorazione oppure possano rimanervi bloccati. L'utensile in rotazione ha la tendenza a rimanere bloccato in angoli, spigoli taglienti oppure in caso di rimbalzo. Ciò provoca una perdita del controllo oppure un contraccolpo.

- Non utilizzare seghe a catena e neppure lame dentellate. Questo tipo di accessori provocano spesso un contraccolpo oppure la perdita del controllo sull'elettrotensile.

PARTICOLARI AVVERTENZE DI PERICOLO PER OPERAZIONI DI LEVIGATURA E DI TRONCATURA

- Utilizzare esclusivamente utensili abrasivi che siano esplicitamente ammessi per l'elettrotensile in dotazione e sempre in combinazione con la cuffia di protezione prevista per ogni utensile abrasivo. Utensili abrasivi che non sono previsti per l'elettrotensile non possono essere sufficientemente schermati e sono insicuri.
- Dischi abrasivi piegati a gomito devono essere montati in modo tale che la loro superficie abrasiva non sporga oltre il piano del bordo della cuffia di protezione. Un disco abrasivo montato in modo non corretto che sporge dal piano del bordo della cuffia di protezione non può essere schermato sufficientemente.
- La cuffia di protezione deve essere applicata in modo sicuro all'elettrotensile e deve essere regolata in modo tale da poter garantire il massimo possibile di sicurezza, questo significa che la parte dell'utensile abrasivo rivolta verso l'operatore, deve essere ridotta al minimo possibile. La cuffia di protezione protegge l'operatore da frammenti, da contatto accidentale con l'utensile abrasivo nonché da scintille che possono far prendere fuoco ai vestiti.
- Utensili abrasivi possono essere utilizzati esclusivamente per le possibilità applicative esplicitamente raccomandate. P. es.: Mai eseguire lavori di levigatura con la superficie laterale di un disco abrasivo da taglio diritto. Mole abrasive da taglio diritto sono previste per l'asportazione di materiale con il bordo del disco. Esercitando dei carichi laterali su questi utensili abrasivi vi è il pericolo di romperli.
- Per la mola abrasiva selezionata, utilizzare sempre flange di serraggio che siano in perfetto stato e che siano della corretta dimensione e forma. Flange adatte hanno una funzione di corretto supporto della mola abrasiva riducendo il più possibile il pericolo di una rottura della mola abrasiva. È possibile che vi sia una differenza tra flange per mole abrasive da taglio diritto e flange per mole abrasive di altro tipo.
- Non utilizzare mai mole abrasive usurate previste per elettrotensili più grandi. Mole abrasive previste per elettrotensili più grandi non sono concepite per le maggiori velocità di elettrotensili più piccoli e possono rompersi.

ULTERIORI AVVERTENZE DI PERICOLO SPECIFICHE PER LAVORI DI TRONCATURA

- Evitare di far bloccare il disco abrasivo da taglio diritto oppure di esercitare una pressione troppo alta. Non eseguire tagli eccessivamente profondi. Sottoponendo la mola da taglio diritto a carico eccessivo se ne aumenta la sollecitazione e la si rende maggiormente soggetta ad angolature improprie o a blocchi venendo così a creare il pericolo di contraccolpo oppure di rottura dell'utensile abrasivo.

- Evitare di avvicinarsi alla zona anteriore o posteriore al disco abrasivo da taglio in rotazione. Quando l'operatore manovra la mola da taglio diritto nel pezzo in lavorazione in direzione opposta a quella della propria persona, può capitare che in caso di un contraccolpo il disco in rotazione faccia rimbalzare con violenza l'elettrotensile verso l'operatore.
- Qualora il disco abrasivo da taglio diritto dovesse incepparsi oppure si dovesse interrompere il lavoro, spegnere l'elettrotensile e tenerlo fermo fino a quando il disco si sarà fermato completamente. Non tentare mai di estrarre il disco abrasivo dal taglio in esecuzione perché si potrebbe provocare un contraccolpo. Rilevare ed eliminare la causa per il blocco.
- Mai rimettere l'elettrotensile in funzione fintanto che esso si trovi ancora nel pezzo in lavorazione. Prima di continuare ad eseguire il taglio procedendo con la dovuta attenzione, attendere che il disco abrasivo da taglio diritto abbia raggiunto la massima velocità. In caso contrario è possibile che il disco resti agganciato, sbalzi dal pezzo in lavorazione oppure provochi un contraccolpo.
- Dotare di un supporto adatto pannelli oppure pezzi in lavorazione di dimensioni maggiori in modo da ridurre il rischio di un contraccolpo dovuto ad un disco abrasivo da taglio diritto che rimane bloccato. Pezzi in lavorazione di dimensioni maggiori possono piegarsi sotto l'effetto del proprio peso. Provvedere a munire il pezzo in lavorazione di supporti adatti al caso specifico sia nelle vicinanze del taglio di troncatura che in quello del bordo.
- Operare con particolare attenzione in caso di «tagli dal centro» da eseguire in pareti già esistenti oppure in altre parti non visibili. Il disco abrasivo da taglio diritto che inizia il taglio sul materiale può provocare un contraccolpo se dovesse arrivare a troncature condutture del gas o dell'acqua, linee elettriche oppure oggetti di altro tipo.

AVVERTENZE DI PERICOLO SPECIFICHE PER LAVORI DI LEVIGATURA CON CARTA VETRO

- Non utilizzare mai fogli abrasivi troppo grandi ma attenersi alle indicazioni del rispettivo produttore relative alle dimensioni dei fogli abrasivi. Fogli abrasivi che dovessero sporgere oltre il platello possono provocare incidenti oppure blocchi, strappi dei fogli abrasivi oppure contraccolpi.

AVVERTENZE DI PERICOLO SPECIFICHE PER LAVORI CON SPAZZOLE METALLICHE

- Tenere presente che la spazzola metallica perde pezzi di fil di ferro anche durante il comune impiego. Non sottoporre i fili metallici a carico troppo elevato esercitando una pressione troppo alta. Pezzi di fil di ferro espulsi in aria possono penetrare molto facilmente attraverso indumenti sottili e/o la pelle.
- Impiegando una cuffia di protezione si impedisce che la cuffia di protezione e la spazzola metallica possano toccarsi. I diametri delle spazzole a disco e delle spazzole a tazza possono essere aumentati attraverso forze di pressione e tramite l'azione di forze centrifugali.

ULTERIORI AVVERTENZE DI PERICOLO


- Indossare degli occhiali di protezione.
- Al fine di rilevare linee di alimentazione nascoste, utilizzare adatte apparecchiature di ricerca oppure rivol-

gersi alla locale società erogatrice. Un contatto con linee elettriche può provocare lo sviluppo di incendi e di scosse elettriche. Danneggiando linee del gas si può creare il pericolo di esplosioni. Penetrando una tubazione dell'acqua si provocano seri danni materiali oppure vi è il pericolo di provocare una scossa elettrica.

- ▶ Se l'alimentazione di corrente viene interrotta p. es. a causa di mancanza di corrente oppure di estrazione della spina di rete, sbloccare l'interruttore di avvio/arresto e posizionarlo su arresto.
- ▶ Non toccare mole abrasive da sgrasso e taglio prima che le stesse si siano raffreddate. Durante il lavoro le mole diventano bollenti.
- ▶ Assicurare il pezzo in lavorazione. Un pezzo in lavorazione può essere bloccato con sicurezza in posizione solo utilizzando un apposito dispositivo di serraggio oppure una morsa a vite e non tenendolo con la semplice mano.

COLLEGAMENTO ALLA RETE ELETTRICA

Assicurarsi che le informazioni di alimentazione elettrica contenute nella targhetta identificativa della macchina siano compatibili con l'alimentazione elettrica cui si intende collegarla. Questo apparecchio è di Classe II* ed è progettato per essere collegato a una rete elettrica corrispondente a quella indicata nella targhetta identificativa e compatibile con la spina in dotazione. Nel caso in cui sia necessaria una prolunga, usarne una approvata, compatibile e garantita per questo apparecchio. Seguire tutte le istruzioni fornite con la prolunga.

*Doppio isolamento : Questo prodotto non richiede messa a terra poiché all'isolamento di base è stato applicato un isolamento supplementare per fornire protezione da scarica elettrica in caso di isolamento di base insufficiente.

LINEE GUIDA PER L'USO DI PROLUNGHE

- ▶ Assicurarsi che la prolunga sia collegata correttamente e sia in buone condizioni. Quando si usa una prolunga, assicurarsi che la sezione del cavo sia sufficiente per portare la corrente assorbita dal vostro prodotto. Un cavo sottodimensionato potrà causare cadute di tensione e quindi una perdita di potenza e un eccessivo riscaldamento dell'apparecchio.
- ▶ Sostituire sempre una prolunga danneggiata o farla riparare da un tecnico qualificato prima di usarla.
- ▶ Proteggere le prolunghe da oggetti affilati, calore eccessivo e aree umide/bagnate.
- ▶ Usare un circuito elettrico separato per i vostri apparecchi. Questo circuito dovrebbe essere protetto con un fusibile ritardato idoneo. Prima di collegare il motore alla linea elettrica, verificare che l'interruttore si trovi in posizione OFF e che la tensione elettrica corrisponda a quella specificata sulla targhetta del motore. Una tensione inferiore comporterà danni al motore.

CARATTERISTICHE DEL PRODOTTO

DESTINAZIONE D'USO

L'elettrotensile è ideale per la troncatura, la sgrassatura e la spazzolatura di materiali metallici e materiali pietrosi senza l'impiego di acqua.

DATI TECNICI

Codice prodotto		41628
Model	AG 115/750 PLUS	
Tensione nominale	V	230-240
	Hz	50/60
Potenza nominale assorbita	W	750
Numero giri nominale	min ⁻¹	12.000
Max. diametro della mola abrasiva	mm	115
Filettatura dell'alberino portamola	M	14
Max. lunghezza filettatura dell'alberino portamola	mm	11,5
Peso	kg	1,7

Valori di emissione acustica rilevati conformemente a EN 60745-1

Il livello di rumore stimato A dell'apparecchio ammonta normalmente A

Livello di pressione acustica	dB(A)	90
Livello di potenza sonora	dB(A)	101
Incertezza della misura K	dB	3

Valori complessivi di oscillazione a_v (somma vettoriale delle tre direzioni) e incertezza della misura K misurati conformemente alla norma EN 60745-1

Livello vibrazioni:

a _{v,AG}	m/s ²	6,559
K	m/s ²	1,5

INFORMAZIONI SULLA RUMOROSITÀ E SULLA VIBRAZIONE

Il livello di vibrazioni indicato nelle presenti istruzioni è stato rilevato seguendo una procedura di misurazione conforme alla norma EN 60745 e può essere utilizzato per confrontare gli elettrotensili. Lo stesso è idoneo anche per una valutazione temporanea della sollecitazione da vibrazioni.

Il livello di vibrazioni indicato rappresenta gli impieghi principali dell'elettrotensile. Qualora l'elettrotensile venisse utilizzato tuttavia per altri impieghi, con accessori e utensili da innesto differenti oppure con manutenzione insufficiente, il livello di vibrazioni può differire. Questo può aumentare sensibilmente la sollecitazione da vibrazioni per l'intero periodo di tempo operativo.

Per una valutazione precisa della sollecitazione da vibrazioni bisognerebbe considerare anche i tempi in cui l'apparecchio è spento oppure è acceso ma non è utilizzato effettivamente. Questo può ridurre chiaramente la sollecitazione da vibrazioni per l'intero periodo operativo.

Adottare misure di sicurezza supplementari per la protezione dell'operatore dall'effetto delle vibrazioni come p.es.: manutenzione dell'elettrotensile e degli accessori, mani calde, organizzazione dello svolgimento del lavoro.

IDENTIFICAZIONE

1. Interruttore di avvio/arresto
2. Tasto di bloccaggio dell'alberino
3. Impugnatura supplementare
4. Riparo di protezione
5. Vite del riparo di protezione
6. Albero
7. Flangia di bloccaggio
8. Chiave
9. Flangia di montaggio

USO

MONTAGGIO DEGLI ACCESSORI (E)

- Pulire l'albero (06) e tutte le parti che si devono montare.
- Serrare la flangia (07) di bloccaggio con la chiave (08) mentre si spinge il tasto (02) di bloccaggio dell'albero.
- Per smontare gli accessori invertire la procedura.

MONTAGGIO DELL'IMPUGNATURA AUSILIARIA (C)

- A seconda della posizione di lavoro che si preferisce, avvitare l'impugnatura supplementare (03) a destra oppure a sinistra della testata ingranaggi.

RIMOZIONE / MONTAGGIO / REGOLAZIONE DEL RIPARO DI PROTEZIONE (B)

- Aprire il riparo di protezione (04) allentando la vite (05).
- Posizionare il riparo di protezione (04) sul collare dell'albero e girarlo alla posizione richiesta (secondo il lavoro da effettuare).
- Fissare il riparo di protezione (04) serrando la vite (05).

PRIMA DI UTILIZZARE L'UTENSILE

- Assicurarsi che l'accessorio sia montato correttamente e fissato saldamente
- Controllate che l'accessorio giri liberamente, facendolo ruotare con la mano
- Fare girare a vuoto l'utensile per almeno 60 secondi alla velocità massima in una posizione sicura
- Arrestare immediatamente in caso di forti vibrazioni o altri difetti e cercare di determinare la causa

ACCENDERE/SPEGNERE (D)

- Per mettere in funzione l'elettrotensile, spingere in avanti l'interruttore di avvio/arresto (01).
- Per bloccare l'interruttore di avvio/arresto (01), spingere verso il basso in avanti l'interruttore di avvio/arresto (01), sino a farlo scattare in posizione.
- Per spegnere l'elettrotensile, rilasciare l'interruttore di avvio/arresto (01), oppure, se l'interruttore è bloccato, spingere brevemente verso il basso all'indietro l'interruttore di avvio/arresto (01), quindi rilasciarlo.

SMERIGLIATURA

- Con un'angolazione di regolazione da 30° fino a 40° si raggiungono i migliori risultati in caso di lavori di sgrossatura. Esercitando una pressione moderata, spostare l'elettrotensile da una parte all'altra. Questa procedura consente di evitare che il pezzo in lavorazione si scaldi troppo, cambi di colore e che si formino scanalature.

TAGLIO

- Non inclinare l'utensile al taglio

- Muovere sempre l'utensile nella stessa direzione della freccia sulla testa dell'utensile, al fine di impedire che l'utensile venga spinto fuori dal taglio in modo non controllato
- Non applicare pressione sull'utensile; lasciare che la velocità della mola faccia il lavoro
- La velocità di lavoro della mola da taglio dipende dal materiale da tagliare
- Non rompere le mole da taglio con pressione laterale

MANUTENZIONE

Ispezioni e pulizia regolari riducono la necessità di operazioni di manutenzione e manterranno l'apparecchio in buone condizioni di funzionamento. Il motore deve essere correttamente ventilato durante l'uso dell'apparecchio. Per questo motivo, evitare di bloccare le prese d'aria.

PROTEZIONE DELL'AMBIENTE



Riciclare le materie prime e non smaltire l'apparecchio come rifiuto. Avviare ad un riciclaggio rispettoso dell'ambiente la macchina, gli accessori e gli imballaggi dismessi. I componenti in plastica sono contrassegnati per il riciclaggio selezionato.

SPIEGAZIONE DEI SIMBOLI



Doppio isolamento



Esclusivamente per uso in ambienti interni. Non esporre a pioggia



- Indossare protezioni per gli occhi.
- Danni ai polmoni, se non si indossano mascherine antipolvere efficaci.
- Danni all'udito, se non si indossano protettori auricolari efficaci.



Indossare guanti protettivi



Non usare mole scheggiate, spaccate o difettose



Per ridurre il rischio di infortuni, prima di usare il prodotto, l'utente deve leggere il manuale



Importante!



Conformi alle pertinenti norme sulla sicurezza

GARANZIA

Questo prodotto e' garantito in base alle regole della nazione di acquisto, garanzia valida dalla data di acquisto. Sono esclusi dalla garanzia i danni attribuibili alla normale usura, al sovraccarico o a una manipolazione scorretta. In caso di reclamo, inviare la macchina, completamente assemblata, al proprio rivenditore o a un centro assistenza per apparecchiature elettriche.

DICHIARAZIONE DEI CONFORMITÀ 

- Dichiaramo, assumendo la piena responsabilità di tale dichiarazione, che il prodotto è conforme alle seguenti normative e ai relativi documenti: EN 60745-1, EN 60745-2-3, EN 55014-1, EN 55014-2, EN 61000-3-2, EN 61000-3-3 in base alle prescrizioni delle direttive 2006/42/EC, 2014/30/EU.

▪ Fascicolo tecnico presso:

FF GROUP TOOL INDUSTRIES S.A.,
19300, Aspropyrgos-Greece

Loudovikos Tsirigiotis
Operations & Engineering

FF GROUP TOOL INDUSTRIES S.A., 19300
Aspropyrgos-Greece. 03/09/2018


ΕΛΛΗΝΙΚΑ**ΓΕΝΙΚΕΣ ΟΔΗΓΙΕΣ ΑΣΦΑΛΕΙΑΣ ΗΛΕΚΤΡΙΚΟΥ ΕΡΓΑΛΕΙΟΥ**

Διαβάστε όλες τις υποδείξεις ασφαλείας και τις οδηγίες. Αμέλειες κατά την τήρηση των υποδείξεων ασφαλείας και των οδηγιών μπορεί να προκαλέσουν ηλεκτροπληξία, πυρκαγιά ή/και σοβαρούς τραυματισμούς. Φυλάξτε όλες τις προειδοποιητικές υποδείξεις και οδηγίες για κάθε μελλοντική χρήση. Ο ορισμός «Ηλεκτρικό εργαλείο» που χρησιμοποιείται στις προειδοποιητικές υποδείξεις αναφέρεται σε ηλεκτρικά εργαλεία που τροφοδοτούνται από το ηλεκτρικό δίκτυο (με ηλεκτρικό καλώδιο) καθώς και σε ηλεκτρικά εργαλεία που τροφοδοτούνται από μπαταρία (χωρίς ηλεκτρικό καλώδιο).

ΑΣΦΑΛΕΙΑ ΣΤΟ ΧΩΡΟ ΕΡΓΑΣΙΑΣ

- Διατηρείτε τον τομέα που εργάζεσθε καθαρό και καλά φωτισμένο. Αταξία ή σκοτεινές περιοχές εργασίας μπορεί να οδηγήσουν σε ατυχήματα.
- Μην εργάζεσθε με το ηλεκτρικό εργαλείο σε περιβάλλον όπου υπάρχει κίνδυνος έκρηξης, στο οποίο υπάρχουν εύφλεκτα υγρά, αέρια ή σκόνης. Τα ηλεκτρικά εργαλεία δημιουργούν σπινθηρισμό ο οποίος μπορεί να αναφλέξει τη σκόνη ή τις αναθυμιάσεις.
- Όταν χρησιμοποιείτε το ηλεκτρικό εργαλείο κρατάτε μακριά απ' αυτό τα παιδιά κι άλλα τυχόν παρευρισκόμενα άτομα. Σε περίπτωση απόσπασης της προσοχής σας μπορεί να χάσετε τον έλεγχο του μηχανήματος.

ΗΛΕΚΤΡΙΚΗ ΑΣΦΑΛΕΙΑ

- Το φως του ηλεκτρικού εργαλείου πρέπει να ταιριάζει στην πρίζα. Δεν επιτρέπεται με κανέναν τρόπο η μετατροπή του φως. Μη χρησιμοποιείτε προσαρμοστικά φως σε συνδυασμό με γειωμένα ηλεκτρικά εργαλεία. Αμεταποίητα φως και κατάλληλες πρίζες μειώνουν τον κίνδυνο ηλεκτροπληξίας.
- Αποφεύγετε την επαφή του σώματός σας με γειωμένες επιφάνειες όπως σωλήνες, θερμομαντικά σώματα (καλοριφέρ), κουζίνες ή ψυγεία. Όταν το σώμα σας είναι γειωμένο αυξάνεται ο κίνδυνος ηλεκτροπληξίας.
- Μην εκθέτετε τα μηχανήματα στη βροχή ή την υγρασία. Η διεύδυση νερού σ' ένα ηλεκτρικό εργαλείο αυξάνει τον κίνδυνο ηλεκτροπληξίας.
- Μη χρησιμοποιείτε το ηλεκτρικό καλώδιο για να μεταφέρετε ή να αναρτήσετε το ηλεκτρικό εργαλείο, ή για να βγάλετε το φως από την πρίζα. Κρατάτε το ηλεκτρικό καλώδιο μακριά από υπερβολικές θερμοκρασίες, κοφτερές ακμές και/ή από κινητά εξαρτήματα. Τυχόν χαλασμένα ή περιπλεγμένα ηλεκτρικά καλώδια αυξάνουν τον κίνδυνο ηλεκτροπληξίας.
- Όταν εργάζεσθε μ' ένα ηλεκτρικό εργαλείο στο ύπαιθρο να χρησιμοποιείτε καλώδια επιμήκυνσης (μπαλαντέζες) που είναι κατάλληλα και για χρήση στο ύπαιθρο. Η χρήση καλωδίων επιμήκυνσης κατάλληλων για υπαίθριους χώρους ελαττώνει τον κίνδυνο ηλεκτροπληξίας.
- Όταν η χρήση του ηλεκτρικού εργαλείου σε υγρό περιβάλλον είναι αναπόφευκτη, τότε χρησιμοποιήστε έναν προστατευτικό διακόπτη διαρροής (διακόπτη FI/RCD).

Η χρήση ενός προστατευτικού διακόπτη διαρροής ελαττώνει τον κίνδυνο ηλεκτροπληξίας.

ΑΣΦΑΛΕΙΑ ΠΡΟΣΩΠΩΝ

- Να είστε πάντοτε προσεκτικός/προσεκτική, να δίνετε προσοχή στην εργασία που κάνετε και να χειρίζεστε το μηχάνημα με περίσκεψη. Μη χρησιμοποιήσετε ένα ηλεκτρικό εργαλείο όταν είστε κουρασμένος/κουρασμένη ή όταν βρίσκεστε υπό την επήρεια ναρκωτικών, οιονοπνεύματος ή φαρμάκων. Μια στιγμιαία απροσεξία κατά το χειρισμό του ηλεκτρικού εργαλείου μπορεί να οδηγήσει σε σοβαρούς τραυματισμούς.
- Φοράτε έναν κατάλληλο για σας προστατευτικό εξοπλισμό και πάντοτε προστατευτικά γυαλιά. Όταν φοράτε έναν κατάλληλο προστατευτικό εξοπλισμό όπως μάσκα προστασίας από σκόνη, αντιολισθητικά υποδήματα ασφαλείας, προστατευτικό κράνος ή ωτασπίδες, ανάλογα με το εκάστοτε εργαλείο και τη χρήση του, ελαττώνεται ο κίνδυνος τραυματισμών.
- Αποφεύγετε την αθέλητη εκκίνηση. Βεβαιωθείτε ότι το ηλεκτρικό εργαλείο έχει απογευχτεί πριν το συνδέσετε με το ηλεκτρικό δίκτυο ή με την μπαταρία καθώς και πριν το παραλάβετε ή το μεταφέρετε. Όταν μεταφέρετε το ηλεκτρικό εργαλείο έχοντας το δάχτυλό σας στο διακόπτη ή όταν συνδέσετε το μηχάνημα με την πηγή ρεύματος όταν αυτό είναι ακόμη στη θέση ON, τότε δημιουργείται κίνδυνος τραυματισμών.
- Αφαιρείτε από τα ηλεκτρικά εργαλεία τυχόν συναρμολογημένα εργαλεία ρύθμισης ή κλειδιά πριν θέσετε το ηλεκτρικό εργαλείο σε λειτουργία. Ένα εργαλείο ή κλειδί συναρμολογημένο σ' ένα περιστερέο τμήμα ενός μηχανήματος μπορεί να οδηγήσει σε τραυματισμούς.
- Μην υπερεκτιμάτε τον εαυτό σας. Φροντίζετε για την ασφαλή στάση του σώματός σας και διατηρείτε πάντοτε την ισορροπία σας. Έτσι μπορείτε να ελέγξετε καλύτερα το μηχάνημα σε περιπτώσεις απροσδόκων περιστάσεων.
- Φοράτε κατάλληλα ενδύματα. Μη φοράτε φαρδιά ρούχα ή κοσμήματα. Κρατάτε τα μαλλιά σας, τα ρούχα σας και τα γάντια σας μακριά από κινούμενα εξαρτήματα. Χαλαρή ενδυμασία, κοσμήματα ή μακριά μαλλιά μπορεί να εμπλακούν στα κινούμενα εξαρτήματα.
- Όταν υπάρχει η δυνατότητα συναρμολόγησης διατάξεων αναρρόφησης ή συλλογής σκόνης, βεβαιωθείτε ότι αυτές είναι συνδεδεμένες με το μηχάνημα καθώς και ότι χρησιμοποιούνται σωστά. Η χρήση μιας αναρρόφησης σκόνης μπορεί να ελαττώσει τον κίνδυνο που προκαλείται από τη σκόνη.

ΕΠΙΜΕΛΗΣ ΧΕΙΡΙΣΜΟΣ ΚΑΙ ΧΡΗΣΗ ΗΛΕΚΤΡΙΚΩΝ ΕΡΓΑΛΕΙΩΝ

- Μην υπερφορτώνετε το μηχάνημα. Χρησιμοποιείτε για την εκάστοτε εργασία το ηλεκτρικό εργαλείο που προορίζεται γι' αυτήν. Με το κατάλληλο ηλεκτρικό εργαλείο εργάζεστε καλύτερα και ασφαλέστερα στην αναφερόμενη περιοχή ισχύος.
- Μη χρησιμοποιήσετε ποτέ ένα μηχάνημα που έχει χαλασμένο διακόπτη. Ένα ηλεκτρικό εργαλείο που δεν μπορείτε πλέον να το θέσετε σε λειτουργία και/ή εκτός λειτουργίας είναι επικίνδυνο και πρέπει να επισκευαστεί.
- Βγάλετε το φως από την πρίζα και/ή αφαιρέστε την

μπαταρία πριν διεξάγετε στο μηχάνημα μια οποιαδήποτε εργασία ρύθμισης, πριν αλλάξετε ένα εξάρτημα ή όταν πρόκειται να διαφυλάξετε/να αποθηκεύσετε το μηχάνημα. Αυτά τα προληπτικά μέτρα ασφαλείας μειώνουν τον κίνδυνο από τυχόν αθέλητη εκκίνηση του ηλεκτρικού εργαλείου.

- Διαφυλάγετε τα ηλεκτρικά εργαλεία που δε χρησιμοποιείτε μακριά από παιδιά. Μην επιτρέψετε τη χρήση του μηχανήματος σε άτομα που δεν είναι εξοικειωμένα μ' αυτό ή δεν έχουν διαβάσει τις παρούσες οδηγίες. Τα ηλεκτρικά εργαλεία είναι επικίνδυνα όταν χρησιμοποιούνται από άπειρα πρόσωπα.
- Να περιποιείστε προσεκτικά το ηλεκτρικό εργαλείο. Ελέγχετε, αν τα κινούμενα μέρη λειτουργούν άψογα, χωρίς να μπλοκάρουν, ή μήπως έχουν σπάσει ή φθαρεί τυχόν μέρη τα οποία επηρεάζουν τον τρόπο λειτουργίας του ηλεκτρικού εργαλείου. Δώστε το χαλασμένο ηλεκτρικό εργαλείο για επισκευή πριν το ξαναχρησιμοποιήσετε. Η κακή συντήρηση των ηλεκτρικών εργαλείων αποτελεί αιτία πολλών ατυχημάτων.
- Διατηρείτε τα εξαρτήματα κοπής κοφτερά και καθαρά. Προσεκτικά συντηρημένα κοπτικά εξαρτήματα σφηνώνουν δυσκολότερα και οδηγούντα ευκολότερα.
- Χρησιμοποιείτε τα ηλεκτρικά εργαλεία, εξαρτήματα, παρελκόμενα εργαλεία κτλ. σύμφωνα με τις παρούσες οδηγίες. Λαμβάνετε επίσης υπόψη σας τις εκάστοτε συνθήκες και την υπό εκτέλεση εργασία. Η χρησιμοποίηση των ηλεκτρικών εργαλείων για εργασίες που δεν προβλέπονται γι' αυτά μπορεί να δημιουργήσει επικίνδυνες καταστάσεις.

SERVICE

Δώστε το ηλεκτρικό εργαλείο σας για επισκευή από άριστα εκπαιδευμένο προσωπικό και με γνήσια ανταλλακτικά. Έτσι εξασφαλίζετε τη διατήρηση της ασφαλείας του μηχανήματος.

ΥΠΟΔΕΙΞΕΙΣ ΑΣΦΑΛΕΙΑΣ ΓΙΑ ΓΩΝΙΑΚΟΥΣ ΛΕΙΑΝΤΗΡΕΣ

ΚΟΙΝΕΣ ΠΡΟΕΙΔΟΠΟΙΗΤΙΚΕΣ ΑΠΟΔΕΙΞΕΙΣ, ΓΙΑ ΛΕΙΑΝΣΗ ΚΑΙ ΛΕΙΑΝΣΗ ΜΕ ΣΥΜΡΙΔΟΧΑΡΤΟ, ΓΙΑ ΕΡΓΑΣΙΕΣ ΚΑΙ ΣΥΡΜΑΤΟΒΟΥΤΣΕΣ ΚΑΙ ΓΙΑ ΕΡΓΑΣΙΕΣ ΚΟΠΗΣ

- Αυτό το λειαντικό εργαλείο πρέπει να χρησιμοποιείται σαν λειαντήρας και λειαντήρας με σμυριδόχαρτο, για εργασίες με συρματοβούρτσα καθώς και σαν μηχανήμα κοπής. Να λαμβάνετε πάντοτε υπόψη σας όλες τις προειδοποιητικές υποδείξεις, τις οδηγίες, καθώς και τις απεικονίσεις και τα στοιχεία που σας παραδίδονται μαζί με το ηλεκτρικό εργαλείο. Η μη τήρηση των οδηγιών που ακολουθούν μπορεί να οδηγήσει σε ηλεκτροπληξία, φωτιά και/ή σε σοβαρούς τραυματισμούς.
- Αυτό το ηλεκτρικό εργαλείο δεν είναι κατάλληλο για στιλβωση. Η χρήση του ηλεκτρικού εργαλείου σε εργασίες για τις οποίες αυτό δεν προβλέπεται, μπορεί να δημιουργήσει κινδύνους και να προκαλέσει τραυματισμούς.
- Μη χρησιμοποιήσετε ποτέ εξαρτήματα που δεν προβλέπονται και δεν προτάθηκαν από τον κατασκευαστή ειδικά γι' αυτό το ηλεκτρικό εργαλείο. Μόνο η διαπίστωση ότι μπορείτε να στερεώσετε ένα εξάρτημα στο ηλεκτρικό εργαλείο σας δεν εγγυάται την ασφαλή χρήση του.

- ▶ Ο μέγιστος επιτρεπτός αριθμός στροφών του εργαλείου που χρησιμοποιείτε πρέπει να είναι τουλάχιστον τόσο υψηλός όσο ο μέγιστος αριθμός στροφών που αναφέρεται επάνω στο ηλεκτρικό εργαλείο. Εξαρτήματα που περιστρέφονται με ταχύτερη μεγαλύτερη από την επιτρεπτή μπορεί να καταστραφούν.
- ▶ Η εξωτερική διάμετρος και το πάχος του εργαλείου που χρησιμοποιείτε πρέπει να ανταποκρίνονται πλήρως στις αντίστοιχες διαστάσεις του ηλεκτρικού εργαλείου σας. Εργαλεία με εσφαλμένες διαστάσεις δεν μπορούν να καλυφθούν ή να ελεγχθούν ασφαλώς.
- ▶ Εργαλεία με βιδωτή υποδοχή πρέπει να ταιριάζουν ακριβώς στο σπείρωμα του άξονα. Στα εργαλεία που συναρμολογούνται με τη βοήθεια φλάντζας πρέπει η διάμετρος της τρύπας του εργαλείου να ταιριάζει στη διάμετρο της υποδοχής της φλάντζας. Εργαλεία που δεν μπορούν να στερεωθούν ακριβώς στο ηλεκτρικό εργαλείο περιστρέφονται ανομοιόμορφα, δονούνται ισχυρά και μπορεί να οδηγήσουν στην απώλεια του ελέγχου.
- ▶ Μη χρησιμοποιείτε χαλασμένα εργαλεία. Να ελέγχετε πάντοτε τα εργαλεία που πρόκειται να χρησιμοποιήσετε, π. χ. τους δίσκους κοπής για σπασίματα και ρωγμές, του δίσκους λείανσης για ρωγμές, φθορές ή ξεφτίσματα και τις συρματόβουρτσες για χαλαρά ή σπασμένα σύρματα. Σε περίπτωση που το ηλεκτρικό εργαλείο ή κάποιο εργαλείο πέσει κάτω, τότε ελέγξτε το εργαλείο μήπως έχει υποστεί κάποια βλάβη ή χρησιμοποιήστε ένα άλλο, άψογο εργαλείο. Μετά τον έλεγχο και την τοποθέτηση του εργαλείου που πρόκειται να χρησιμοποιήσετε πρέπει να απομακρύνετε τυχόν παρευρισκόμενα πρόσωπα από το επίπεδο περιστροφής του εργαλείου, κι ακολούθως ν' αφήσετε το ηλεκτρικό εργαλείο να εργαστεί ένα λεπτό υπό το μέγιστο αριθμό στροφών χωρίς φορτίο. Τυχόν χαλασμένα εργαλεία σπάνε ως επί το πλείστον κατά τη διάρκεια αυτού του χρόνου δοκιμής.
- ▶ Να φοράτε πάντοτε τη δική σας, ατομική προστατευτική ενδυμασία. Να χρησιμοποιείτε επίσης, ανάλογα με την εκάστοτε εργασία που εκτελείτε, προστατευτικές μάσκες, προστατευτικές διατάξεις ματιών ή προστατευτικά γυαλιά. Αν χρειαστεί, φοράτε και μάσκα προστασίας από σκόνη, ωτασπίδες, προστατευτικά γάντια ή μια ειδική προστατευτική ποδιά, που θα σας προστατεύει από τυχόν εκσφενδονιζόμενα λειαντικά σωματίδια ή θραύσματα υλικού. Τα μάτια πρέπει να προστατεύονται από τυχόν αιωρούμενα σωματίδια που μπορεί δημιουργηθούν κατά την εκτέλεση των διάφορων εργασιών. Οι αναπνευστικές και οι προστατευτικές μάσκες πρέπει να φιλτράρουν τον αέρα και να συγκρατούν τη σκόνη που δημιουργείται κατά την εργασία. Σε περίπτωση που θα εκτεθείτε για πολύ χρόνο σε ισχυρό θόρυβο μπορεί να απωλέσετε την ακοή σας.
- ▶ Φροντίζετε, τυχόν παρευρισκόμενα άτομα να βρίσκονται πάντοτε σε ασφαλή απόσταση από τον τομέα που εργάζεσθε. Κάθε άτομο που μπαίνει στον τομέα που εργάζεσθε πρέπει να φορά προστατευτική ενδυμασία. Θραύσματα του υπό κατεργασία τεμαχίου ή σπασμένων εργαλείων μπορεί να εκσφενδονιστούν και να προκαλέσουν τραυματισμούς ακόμη κι εκτός του άμεσου τομέα εργασίας.
- ▶ Να κρατάτε το ηλεκτρικό εργαλείο μόνο από τις μονωμένες επιφάνειες συγκράτησης όταν υπάρχει κίνδυνος το εργαλείο να έρθει σε επαφή με μη ορατούς ηλεκτροφόρους αγωγούς. Η επαφή με έναν ηλεκτρο-

φόρο αγωγό μπορεί να θέσει τα μεταλλικά μέρη του ηλεκτρικού εργαλείου επίσης υπό τάση και προκαλέσει έτσι ηλεκτροπληξία.

- ▶ Να κρατάτε και να οδηγείτε το ηλεκτρικό καλώδιο σε ασφαλή απόσταση από τα περιστρεφόμενα εργαλεία. Σε περίπτωση που χάσετε τον έλεγχο του ηλεκτρικού εργαλείου το ηλεκτρικό καλώδιο μπορεί να κοπεί ή να περιπληχτεί και το χέρι σας ή το μπράτσο σας να τραβηχτεί επάνω στο περιστρεφόμενο εργαλείο.
- ▶ Μην αποθέσετε ποτέ το ηλεκτρικό εργαλείο πριν το τοποθετημένο εργαλείο πάψει εντελώς να κινείται. Το περιστρεφόμενο εργαλείο μπορεί να έρθει σε επαφή με την επιφάνεια στην οποία ακουμπήσατε το ηλεκτρικό εργαλείο κι έτσι να χάσετε τον έλεγχο του.
- ▶ Μην αφήσετε ο ηλεκτρικό εργαλείο να εργάζεται όταν το μεταφέρετε. Τα ρούχα σας μπορεί να τυλιχτούν τυχαίως στο περιστρεφόμενο εργαλείο κι αυτό να τραπήσει το σώμα σας.
- ▶ Να καθαρίζετε τακτικά τις οχισμές αερισμού του ηλεκτρικού εργαλείου σας. Η πτερωτή του κινήτρια τραβάει σκόνη μέσα στο περίβλημα και η συσσώρευση μεταλλικής σκόνης μπορεί να δημιουργήσει ηλεκτρικούς κινδύνους.
- ▶ Μη χρησιμοποιείτε το ηλεκτρικό εργαλείο κοντά σε εύφλεκτα υλικά. Ο σπινθηρισμός μπορεί να τα αναφλέξει.
- ▶ Μη χρησιμοποιείτε εργαλεία που απαιτούν ψύξη με ψυκτικά υγρά. Η χρήση νερού ή άλλων ψυκτικών υγρών μπορεί να οδηγήσει σε ηλεκτροπληξία.

ΚΛΟΤΣΗΜΑ ΚΑΙ ΣΧΕΤΙΚΕΣ ΠΡΟΕΙΔΟΠΟΙΗΤΙΚΕΣ ΥΠΟΔΕΙΞΕΙΣ

- ▶ Το κλότσημα είναι μια απροσδόκητη αντίδραση όταν το περιστρεφόμενο εργαλείο, π.χ. ο δίσκος κοπής, ο δίσκος λείανσης, η συρματόβουρτσα κτλ., προσκρούσει κάποιο (σκοντάψει) ή μπλοκάρει. Το σφηνώμα ή το μπλοκάρισμα οδηγεί στην απότομη διακοπή της περιστροφής του εργαλείου. Έτσι, ένα τυχόν μη υπό έλεγχο ευρισκόμενο ηλεκτρικό εργαλείο αντιδρά στο σημείο μπλοκαρίσματος/πρόσκρουσης με σφοδρότητα και περιστρέφεται με συνεχώς αυξανόμενη ταχύτητα με φορά αντίθετη από εκείνη του εργαλείου. Όταν π.χ. ένας δίσκος κοπής σφηνώσει ή μπλοκάρει μέσα στο υπό κατεργασία υλικό, τότε η ακμή του δίσκου που βυθίζεται μέσα στο υλικό μπορεί να στρεβλώσει και ακολούθως ο δίσκος κοπής να πεταχτεί με ορμή και ανεξέλεγκτα έξω από το υλικό ή να προκαλέσει κλότσημα. Όταν συμβεί αυτό ο δίσκος κοπής κινείται με κατεύθυνση προς το χειριστή/τη χειρίστρια ή και αντίθετα, ανάλογα με τη φορά περιστροφής στο σημείο μπλοκαρίσματος. Σε τέτοιες περιπτώσεις δεν αποκλείεται ακόμη και το σπάσιμο των δίσκων κοπής. Το κλότσημα είναι το αποτέλεσμα ενός εσφαλμένου ή ελλιπούς χειρισμού του ηλεκτρικού εργαλείου και μπορεί να αποφευχθεί με λήψη κατάλληλων προληπτικών μέτρων, σαν αυτά που περιγράφονται παρακάτω.
- ▶ Να κρατάτε το ηλεκτρικό εργαλείο πάντοτε καλά και να παίρνετε με το σώμα σας μόνο θέσεις, στις οποίες θα μπορούσατε να αντιμετωπίσετε επιτυχώς ένα ενδεχόμενο κλότσημα. Να χρησιμοποιείτε πάντοτε την πρόσθετη λαβή, αν αυτή φυσικά υπάρχει, για να εξασφαλίσετε έτσι το μέγιστο δυνατό έλεγχο του ηλεκτρικού εργαλείου σε περίπτωση εμφάνισης ανύστροφων και αντίρροπων δυνάμεων (π. χ. κλότσημα) κατά την εκκίνηση. Έτσι ο χειριστής/η χειρίστρια μπορεί να αντιμετωπίσει με επιτυχία τα κλότσηματα και τις

ανάστροφες ροπές.

- Μη βάζετε ποτέ τα χέρια σας κοντά στα περιστρεφόμενα εργαλεία. Σε περίπτωση κλοστήματος το εργαλείο μπορεί να περάσει πάνω από το χέρι σας.
- Μην παύετε με το σώμα σας θέσεις προς τις οποίες θα κινηθεί το ηλεκτρικό εργαλείο σε περίπτωση κλοστήματος. Κατά το κλόστημα το ηλεκτρικό εργαλείο κινείται ανεξέλεγκτα με κατεύθυνση αντίθετη προς τη φορά περιστροφής του δίσκου λείανσης στο σημείο μπλοκαρίσματος.
- Να εργάζεστε με ιδιαίτερη προσοχή σε γωνίες, κοφτερές ακμές κτλ. Φροντίζετε, το λειαντικό εργαλείο να μην ανατιναχτεί έξω από το υπό καταργασία υλικό και να μη σφηνώσει σ' αυτό. Το περιστρεφόμενο λειαντικό εργαλείο σφηνώνει εύκολα κατά την εργασία σε γωνίες και σε κοφτερές ακμές ή όταν εκτινάσσεται. Αυτό προκαλεί κλόστημα ή απώλεια του ελέγχου.
- Μη χρησιμοποιείτε τσαπραζωμένες ή οδοντωτές πριονόλαμες. Τα εργαλεία αυτά προκαλούν συχνά κλόστημα ή οδηγούν σε απώλεια του ελέγχου του ηλεκτρικού εργαλείου.

ΙΔΙΑΙΤΕΡΕΣ ΠΡΟΕΙΔΟΠΟΙΗΤΙΚΕΣ ΥΠΟΔΕΙΞΕΙΣ ΓΙΑ ΛΕΙΑΝΣΗ ΚΑΙ ΚΟΠΗ

- Να χρησιμοποιείτε αποκλειστικά λειαντικά σώματα που είναι κατάλληλα για το ηλεκτρικό εργαλείο σας και μόνο προφυλακτères που προβλέπονται γι' αυτά τα λειαντικά σώματα. Λειαντικά σώματα που δεν προβλέπονται για το ηλεκτρικό εργαλείο δεν μπορούν να καλυφτούν επαρκώς και γι' αυτό είναι ανασφαλής.
- Κυρτοί δίσκοι λείανσης πρέπει να συναρμολογούνται κατά τέτοιο τρόπο, ώστε η επιφάνεια λείανσης να καλύπτεται από τον προφυλακτήρα. Αντικανονικά συναρμολογημένοι δίσκοι λείανσης, των οποίων η επιφάνεια λείανσης δεν καλύπτεται από τον προφυλακτήρα, δεν μπορούν να θεωρακιστούν επαρκώς.
- Ο προφυλακτήρας πρέπει να συναρμολογηθεί ασφαλώς στο ηλεκτρικό εργαλείο και να τοποθετηθεί έτσι ώστε να προσφέρει τη μέγιστη εφικτή ασφάλεια, και ταυτόχρονα μόνο ένα όσο το δυνατό πιο μικρό τμήμα του λειαντικού εξαρτήματος να είναι ακάλυπτο. Ο προφυλακτήρας συμβάλλει στην προστασία του χειριστή από θραύσματα, ακούσια επαφή με το λειαντικό εξάρτημα καθώς και από σπινθηρισμό που θα μπορούσε να αναφλέξει τα ρούχα του.
- Τα λειαντικά σώματα πρέπει να χρησιμοποιούνται μόνο για τις εργασίες που αυτά προβλέπονται. Π. χ.: Μην λειανείτε ποτέ με την πλευρά ενός δίσκου κοπής. Οι δίσκοι κοπής προορίζονται για αφαίρεση υλικού μόνο με την κόψη τους. Αυτά τα λειαντικά σώματα μπορεί να σπάσουν όταν υποστούν πίεση από τα πλάγια.
- Να χρησιμοποιείτε πάντοτε άψογες φλάντζες σύσφιξης με το σωστό μέγεθος και τη σωστή μορφή, ανάλογα με το δίσκο λείανσης που επιλέξατε. Οι κατάλληλες φλάντζες σφηνίζουν το δίσκο λείανσης και μειώνουν έτσι τον κίνδυνο του σπασίματος του. Οι φλάντζες για δίσκους κοπής μπορεί να διαφέρουν από τις φλάντζες για άλλους δίσκους λείανσης.
- Να μη χρησιμοποιείτε μεταχειρισμένους δίσκους λείανσης από μεγαλύτερα ηλεκτρικά εργαλεία. Δίσκοι λείανσης για μεγαλύτερα λειαντικά εργαλεία δεν είναι κατάλληλοι για τους υψηλότερους αριθμούς στροφών των μικρότερων ηλεκτρικών εργαλείων και γι' αυτό μπορεί να σπάσουν.

ΣΥΜΠΛΗΡΩΜΑΤΙΚΕΣ ΠΡΟΕΙΔΟΠΟΙΗΤΙΚΕΣ ΥΠΟΔΕΙΞΕΙΣ ΓΙΑ ΔΙΣΚΟΥΣ ΚΟΠΗΣ

- Να αποφεύγετε το μπλοκάρισμα των δίσκων κοπής και/ή την άσκηση πολύ υψηλής πίεσης. Να μη διεξάγετε τομές υπερβολικού βάθους. Η υπερβολική επιβάρυνση του δίσκου κοπής αυξάνει τη μηχανική παραμόρφωσή του και τον κίνδυνο στρέβλωσης κι έτσι και τις πιθανότητες κλοστήματος ή σπασίματος του λειαντικού σώματος.
- Να αποφεύγετε την περιοχή μπροστά και πίσω από τον περιστρεφόμενο δίσκο κοπής. Όταν σπρώχνετε το δίσκο κοπής μέσα στο υπό καταργασία τεμάχιο τότε, σε περίπτωση κλοστήματος, το ηλεκτρικό εργαλείο με τον περιστρεφόμενο δίσκο μπορεί να εκσφενδονιστεί κατευθείαν επάνω σας.
- Όταν ο δίσκος κοπής μπλοκάρει ή όταν διακόπτετε την εργασία σας πρέπει να θέσετε το ηλεκτρικό εργαλείο εκτός λειτουργίας και ακολουθώντας να το κρατάτε φρεμα μέχρι ο δίσκος κοπής να σταματήσει εντελώς να κινείται. Μην προσπαθήσετε ποτέ να βγάλετε το δίσκο κοπής από το υλικό όταν αυτός κινείται ακόμη, διαφορετικά υπάρχει κίνδυνος κλοστήματος. Εξακριβώστε κι εξουδετερώστε την αιτία του μπλοκαρίσματος.
- Μη θέσετε το ηλεκτρικό εργαλείο πάλι σε λειτουργία όσο ο δίσκος κοπής βρίσκεται ακόμη μέσα στο υπό καταργασία τεμάχιο. Αφήστε το δίσκο κοπής να αποκτήσει το μέγιστο αριθμό στροφών πριν συνεχίσετε προσεκτικά την κοπή. Διαφορετικά ο δίσκος μπορεί να σφηνώσει, να πεταχτεί με ορμή έξω από το υπό καταργασία υλικό ή να προκαλέσει κλόστημα.
- Πλάκες ή άλλα μεγάλα υπό καταργασία τεμάχια, πρέπει να υποστηρίζονται για να ελαττωθεί ο κίνδυνος κλοστήματος από έναν τυχόν μπλοκαρισμένο δίσκο κοπής. Μεγάλα υπό καταργασία τεμάχια μπορεί να λυγίσουν κάτω από το ίδιο τους το βάρος. Το υπό καταργασία τεμάχιο πρέπει να υποστηριχτεί και στις δυο πλευρές του, και κοντά στην τομή κοπής και στο άκρο του.
- Να είναι ιδιαίτερα προσεκτικός/προσεκτική όταν διεξάγετε «κοπές βυθίσματος» σε τοίχους ή άλλους μη εποπευσιμους τομείς. Ο βυθιζόμενος δίσκος κοπής μπορεί να κόψει σωλήνες φωταερίου (γκάζου) ή νερού, ηλεκτρικές γραμμές ή αντικείμενα που μπορεί να προκαλέσουν κλόστημα.

ΙΔΙΑΙΤΕΡΕΣ ΠΡΟΕΙΔΟΠΟΙΗΤΙΚΕΣ ΥΠΟΔΕΙΞΕΙΣ ΓΙΑ ΕΡΓΑΣΙΕΣ ΛΕΙΑΝΣΗΣ ΜΕ ΣΜΥΡΙΔΟΧΑΡΤΟ

- Μη χρησιμοποιείτε υπερμεγέθη σμυριδόχαρτα αλλά τηρείτε τις συστάσεις του κατασκευαστή για το μέγεθος των σμυριδόχαρτα. Σμυριδόχαρτα που προεξέχουν από το δίσκο λείανσης μπορεί να προκαλέσουν τραυματισμούς, να οδηγήσουν σε μπλοκάρισμα, να σκιστούν ή να προκαλέσουν κλόστημα.

ΙΔΙΑΙΤΕΡΕΣ ΠΡΟΕΙΔΟΠΟΙΗΤΙΚΕΣ ΥΠΟΔΕΙΞΕΙΣ ΓΙΑ ΕΡΓΑΣΙΕΣ ΜΕ ΣΥΡΜΑΤΟΒΟΥΡΤΣΕΣ

- Να λαμβάνετε πάντοτε υπόψη σας ότι οι σμυριδοβουρτσες χάνουν σύρματα κατά τη διάρκεια της κανονικής τους χρήσης. Να μην ασκείτε υπερβολική πίεση για να μην επιβαρύνονται υπερβολικά τα σύρματα. Τυχόν εκσφενδονιζόμενα τεμάχια συρμάτων μπορεί να διατρηθούν όχι μόνο λεπτά ρούχα αλλά και/ή το δέρμα σας.
- Όταν προτείνεται η χρήση προφυλακτήρα πρέπει να φροντίσετε, τα σύρματα της βούρτσας να μην εγείζονται τον προφυλακτήρα. Η διάμετρος των δίσκο-

ειδών και των ποτηροειδών βουρτσών μπορεί να μεγαλώσει εξαιτίας της ασούμμενης πίεσης και της ανάπτυξης κεντρόφυγων δυνάμεων.


ΣΥΜΠΛΗΡΩΜΑΤΙΚΕΣ ΠΡΟΕΙΔΟΠΟΙΗΤΙΚΕΣ ΥΠΟΔΕΙΞΕΙΣ

- Φοράτε προστατευτικά γυαλιά.
- Χρησιμοποιείτε κατάλληλες ανικνευτικές συσκευές για να εντοπίσετε τυχόν μη ορατές τροφοδοτικές γραμμές ή να συμβουλευέστε την τοπική εταιρία παροχής ενέργειας. Η επαφή με ηλεκτρικές γραμμές μπορεί να οδηγήσει σε πυρκαγιά και ηλεκτροπληξία. Η πρόκληση ζημιάς σ' έναν αγωγό φωταερίου (γκαζιού) μπορεί να οδηγήσει σε έκρηξη. Το τρύπημα ενός σωλήνα νερού προκαλεί ζημιά σε πράγματα ή/και μπορεί να οδηγήσει σε ηλεκτροπληξία.
- Απομεινώνετε το διακόπτη ON/OFF και θέστε τον στη θέση OFF σε περίπτωση που διακοπεί η τροφοδοσία με ηλεκτρικό ρεύμα, π. χ. λόγω διακοπής του ηλεκτρικού ρεύματος ή επειδή βγήκε το φως από την πρίζα.
- Να μην πιάνετε τους δίσκους λείανσης και κοπής πριν κρυσώσουν. Κατά την εργασία οι δίσκοι θερμαίνονται υπερβολικά.
- Ασφαλίστε το υπό κατεργασία τεμάχιο. Ένα υπό κατεργασία τεμάχιο συγκρατείται ασφαλέστερα με μια διάταξη σύσφιξης ή με μια μέγγενη παρά με το χέρι σας.

ΣΥΝΔΕΣΗ ΜΕ ΤΗΝ ΠΑΡΟΧΗ ΡΕΥΜΑΤΟΣ

Βεβαιωθείτε ότι οι πληροφορίες τροφοδοσίας στην πινακίδα του μηχανήματος είναι συμβατές με την τροφοδοσία ρεύματος στην οποία σκοπεύετε να το συνδέσετε.

Αυτή η συσκευή είναι Κλάσης II* και έχει σχεδιαστεί για σύνδεση με παροχή ρεύματος που ταιριάζει με αυτή που αναγράφεται στην πινακίδα και είναι συμβατή με την πρίζα. Εάν απαιτείται καλώδιο επέκτασης, χρησιμοποιήστε ένα εγκεκριμένο και συμβατό καλώδιο για αυτή τη συσκευή. Ακολουθήστε όλες τις οδηγίες που παρέχονται με το καλώδιο επέκτασης.

*Διπλή μόνωση : Αυτό το προϊόν δεν απαιτεί σύνδεση γείωσης, καθώς συμπληρωματική μόνωση εφαρμόζεται στη βασική μόνωση για προστασία από ηλεκτροπληξία σε περίπτωση βλάβης της βασικής μόνωσης.

ΟΔΗΓΙΕΣ ΧΡΗΣΗΣ ΚΑΛΩΔΙΟΥ ΕΠΕΚΤΑΣΗΣ

- Σιγουρευτείτε ότι το καλώδιο επέκτασης σας είναι σε καλή κατάσταση. Όταν χρησιμοποιείτε ένα καλώδιο επέκτασης, επιβεβαιώστε ότι είναι αρκετά δυνατό στο να σηκώσει το ρεύμα που χρειάζεται το εργαλείο σας. Ένα μικρότερο καλώδιο θα προκαλέσει πτώση της τάσης, με αποτέλεσμα την απώλεια ισχύος και υπερθέρμανση.
- Βεβαιωθείτε ότι το καλώδιο επέκτασης είναι σωστά συνδεδεμένο. Να το αντικαθιστάτε πάντα αν είναι κατεστραμμένο ή να το επισκευάσετε από ειδικευμένο άτομο πριν το χρησιμοποιήσετε.
- Προστατεύστε το καλώδιο επέκτασης από αιχμηρά αντικείμενα, υπερβολική θερμότητα, υγρασία και βρεγμένες περιοχές.
- Χρησιμοποιήστε ένα ξεχωριστό ηλεκτρικό κύκλωμα για τα εργαλεία σας. Αυτό το κύκλωμα πρέπει να προστατεύεται με την κατάλληλη ασφάλεια με χρονική καθυστέρηση. Πριν συνδέσετε τον ηλεκτροκίνητο στη γραμμή ηλεκτρικού ρεύματος,

βεβαιωθείτε ότι ο διακόπτης είναι στη θέση OFF και ότι η ηλεκτρική τάση είναι ίδια με την τάση που έχει επισημανθεί στην πινακίδα του κινητήρα. Η λειτουργία σε χαμηλότερη τάση θα προκαλέσει βλάβη στον κινητήρα.

ΧΑΡΑΚΤΗΡΙΣΤΙΚΑ ΠΡΟΪΟΝΤΟΣ

ΠΡΟΒΛΕΠΟΜΕΝΗ ΧΡΗΣΗ

Το ηλεκτρικό εργαλείο προορίζεται για την κοπή, το ξεχόντρισμα και το βούρτσισμα μετάλλων, ορυκτών υλικών χωρίς τη χρήση νερού.

ΤΕΧΝΙΚΑ ΧΑΡΑΚΤΗΡΙΣΤΙΚΑ

Κωδικός Είδους	41628	
Μοντέλο	AG 115/750 PLUS	
Ονομαστική Τάση	V	230-240
	Hz	50/60
Ονομαστική ισχύς	W	750
Ονομαστικός αριθμός στροφών	min ⁻¹	12.000
Μέγιστη διάμετρος δίσκου λείανσης	mm	115
Σπείρωμα άξονα	M	14
Μέγ. μήκος σπειρώματος άξονα	mm	11,5
Βάρος	kg	1,7

Τιμές εκπομπής θορύβου, υπολογισμένες κατά EN 60745-1

Η χαρακτηριστική στάθμη θορύβου του μηχανήματος εξακριβώθηκε σύμφωνα με την καμπύλη A και ανέρχεται σε:

Στάθμη ακουστικής πίεσης	dB(A)	90
Στάθμη ακουστικής ισχύος	dB(A)	101
Ανασφάλεια K	dB	3

Οι συνολικές τιμές κραδασμών a_h (άθροισμα ανυσμάτων τριών κατευθύνσεων) και ανασφάλεια K εξακριβώθηκαν σύμφωνα με το πρότυπο EN 60745-1

Επίπεδο δόνησης:

$a_{h,AG}$	m/s ²	6,559
K	m/s ²	1,5

ΠΛΗΡΟΦΟΡΙΕΣ ΓΙΑ ΘΟΡΥΒΟ ΚΑΙ ΔΟΝΗΣΕΙΣ

Η στάθμη κραδασμών που αναφέρεται σ' αυτές τις οδηγίες έχει μετρηθεί σύμφωνα με μια διαδικασία μέτρησης τυποποιημένη στο πρότυπο EN 60745 και μπορεί να χρησιμοποιηθεί για τη σύγκριση διάφορων ηλεκτρικών εργαλείων. Είναι επίσης κατάλληλη για έναν προσωρινό υπολογισμό της επιβάρυνσης από τους κραδασμούς.

Η στάθμη κραδασμών που αναφέρεται αντιπροσωπεύει τις βασικές χρήσεις του ηλεκτρικού εργαλείου. Σε περίπτωση όμως που το ηλεκτρικό εργαλείο χρησιμοποιείται για άλλες εφαρμογές, με διαφορετικά ή αποκλίνοντα εξαρτήματα ή χωρίς επαρκή συντήρηση, τότε η στάθμη κραδασμών μπορεί να αποκλίνει και αυτή. Αυτό μπορεί να αυξήσει σημαντικά την επιβάρυνση από τους κραδασμούς κατά

τη συνολική διάρκεια ολόκληρου του χρονικού διαστήματος που εργάζεσθε.

Για την ακριβή εκτίμηση της επιβάρυνσης από τους κραδασμούς θα πρέπει να λαμβάνονται επίσης υπόψη και οι χρόνοι κατά τη διάρκεια των οποίων το εργαλείο βρίσκεται εκτός λειτουργίας ή λειτουργεί, χωρίς όμως στην πραγματικότητα να χρησιμοποιείται. Αυτό μπορεί να μειώσει σημαντικά την επιβάρυνση από τους κραδασμούς κατά τη διάρκεια ολόκληρου του χρονικού διαστήματος που εργάζεσθε. Γι' αυτό, πριν αρχίσει η δράση των κραδασμών, πρέπει να καθορίζετε συμπληρωματικά μέτρα ασφαλείας για την προστασία του χειριστή όπως: Συντήρηση του ηλεκτρικού εργαλείου και των εξαρτημάτων που χρησιμοποιείτε, διατήρηση ζεστών των χεριών, οργάνωση της εκτέλεσης των διάφορων εργασιών.

ΣΤΟΙΧΕΙΑ ΠΡΟΪΟΝΤΟΣ

1. Διακόπτης ON/OFF
2. Πλήκτρο μανδάλωσης άξονα
3. Πρόσθετη λαβή
4. Προφυλακτήρας
5. Βίδα προφυλακτήρα
6. Άτρακτος
7. Φλάντζα σύσφιξης
8. Γαλλικό κλειδί
9. Φλάντζα στερέωσης

ΛΕΙΤΟΥΡΓΙΑ

ΤΟΠΟΘΕΤΗΣΗ ΕΞΑΡΤΗΜΑΤΩΝ (E)

- Καθαρίστε την άτρακτο **(06)** και όλα τα εξαρτήματα που πρόκειται να συναρμολογηθούν
- Σφίξτε τη φλάντζα σύσφιξης **(07)** χρησιμοποιώντας το κλειδί **(08)**, πιέζοντας ταυτόχρονα το κουμπί ασφαλίσης της ατράκτου **(06)**.
- Για την αφαίρεση των εξαρτημάτων, εργαστείτε στην αντίστροφη σειρά

ΤΟΠΟΘΕΤΗΣΗ ΤΗΣ ΠΛΕΥΡΙΚΗΣ ΛΑΒΗΣ (C)

- Συναρμολογήστε την πρόσθετη λαβή **(03)**, ανάλογα με τον εκάστοτε τρόπο εργασίας, στη δεξιά ή την αριστερή πλευρά της κεφαλής του συμπλέκτη.

ΑΦΑΙΡΕΣΗ / ΤΟΠΟΘΕΤΗΣΗ / ΡΥΘΜΙΣΗ ΤΟΥ ΠΡΟΦΥΛΑΚΤΗΡΑ (B)

- Ανοίξτε τον προφυλακτήρα **(04)** ξεσφίγγοντας τη βίδα **(05)**.
- Τοποθετήστε τον προφυλακτήρα **(04)** στη στεφάνη της ατράκτου, στην κεφαλή του εργαλείου, και γυρίστε τον προς την επιθυμητή θέση (ανάλογα με την εργασία που έχετε να κάνετε).
- Στερεώστε τον προφυλακτήρα **(04)** σφίγγοντας τη βίδα **(05)**.

ΠΡΟΤΟΥ ΧΡΗΣΙΜΟΠΟΙΗΣΕΤΕ ΤΟ ΕΡΓΑΛΕΙΟ

- Βεβαιωθείτε ότι το εξάρτημα έχει τοποθετηθεί σωστά και έχει σφικτεί στη θέση του.
- Ελέγξτε ότι το εξάρτημα λειτουργεί ανεμπόδιστα περιστρέφοντας το με το χέρι.
- Δοκιμάστε το εργαλείο τουλάχιστον για 60 δευτερόλεπτα δουλεύοντας το στη μέγιστη ταχύτητα χωρίς φορτίο, από ασφαλή θέση.
- Σταματήστε αμέσως το εργαλείο σε περίπτωση σοβαρής δόνησης ή άλλης ελαττωματικής λειτουργίας και

ελέγξτε το για να εξακριβωθεί η αιτία.

ΘΕΣΗ ΣΕ ΛΕΙΤΟΥΡΓΙΑ ΚΙ ΕΚΤΟΣ ΛΕΙΤΟΥΡΓΙΑΣ (D)

- Για να θέσετε σε λειτουργία το ηλεκτρικό εργαλείο σπρώξτε τον διακόπτη On/Off **(01)** προς τα εμπρός.
- Για τη σταθεροποίηση του διακόπτη On/Off **(01)** πατήστε τον διακόπτη On/Off **(01)** εμπρός προς τα κάτω, μέχρι να ασφαλίσει.
- Για την απενεργοποίηση του ηλεκτρικού εργαλείου αφήστε τον διακόπτη On/Off **(01)** ελεύθερο ή όταν ήταν κλειδωμένος, πατήστε σύντομα τον διακόπτη On/Off **(01)** και αφήστε τον μετά ελεύθερο.

ΤΡΟΧΙΣΜΑ

- Με γωνία προσβολής 30° έως 40° επιτυγχάνετε κατά το ξεχόνδρισμα άριστα αποτελέσματα. Κινείτε το ηλεκτρικό εργαλείο «από δω κι από κει» ασκώντας μέτρια πίεση. Έτσι το υπό κατεργασία τεμάχιο δε θερμαίνεται υπερβολικά, δεν αλλάζει χρώμα και δε δημιουργούνται αυλακώσεις.
- Μη χρησιμοποιήσετε ποτέ δίσκους κοπής για ξεχόνδρισμα.

ΚΟΠΗ

- Όταν κόβετε μη γέρνετε το εργαλείο.
- Το εργαλείο θα πρέπει να κινείται προς την κατεύθυνση που δείχνει το βέλος στην κεφαλή του εργαλείου, για να μην χάσετε τον έλεγχο του εργαλείου με αποτέλεσμα να βγει το εργαλείο έξω από την εγκοπή
- Μην ασκείτε πίεση στο εργαλείο, αφήστε την ταχύτητα του δίσκου κοπής να κάνει τη δουλειά για σας
- Η ταχύτητα εργασίας του δίσκου κοπής εξαρτάται από το υλικό που κόβετε
- Μην προσπαθείτε να σταματήσετε τον δίσκο κοπής ασκώντας πλάγια πίεση

ΣΥΝΤΗΡΗΣΗ

Η τακτική επιθεώρηση και ο καθαρισμός μειώνουν την ανάγκη για εργασίες συντήρησης και θα διατηρεί το εργαλείο σας σε καλή λειτουργική κατάσταση. Ο κινητήρας πρέπει να αερίζεται σωστά κατά τη λειτουργία του εργαλείου. Για το λόγο αυτό αποφύγετε την παρεμπόδιση των εισόδων αέρα.

ΠΡΟΣΤΑΣΙΑ ΠΕΡΙΒΑΛΛΟΝΤΟΣ

- ✗ Ανακυκλώστε τις πρώτες ύλες αντί να απορρίψετε ως απόβλητα. Το εργαλείο, τα αξεσουάρ και η συσκευασία πρέπει να ταξινομούνται για φιλική προς το περιβάλλον ανακύκλωση. Αυτές οι οδηγίες εκτυπώνονται χωρίς χλώριο. Τα πλαστικά εξαρτήματα φέρουν ετικέτα για ταξινόμηση ανακύκλωσης.

ΕΠΕΞΗΓΗΣΗ ΣΥΜΒΟΛΩΝ



Διπλή μόνωση



Για εσωτερική χρήση μόνο. Μην εκθέτετε τη βροχή.



- Φορέστε γυαλιά προστασίας.
- Φορέστε μάσκα προστασίας.
- Φορέστε ωτοασπίδες.



Φορέστε προστατευτικά γάντια



Μην χρησιμοποιείτε τροχό λείανσης σπασμένο, με ρωγμές ή ελαττώματα



Διαβάστε τις οδηγίες λειτουργίας και ασφαλείας πριν χρησιμοποιήσετε το εργαλείο



Σημαντικό!



Συμμορφώνεται με τα σχετικά πρότυπα ασφαλείας

ΕΓΓΥΗΣΗ

Αυτό το προϊόν είναι εγγυημένο σύμφωνα με τους νομικούς κανονισμούς, που ισχύουν από την ημερομηνία αγοράς από τον πρώτο χρήστη. Οι ζημιές που οφείλονται στην φυσιολογική φθορά, υπερφόρτωση ή ακατάλληλο χειρισμό εξαιρούνται από την εγγύηση. Σε περίπτωση απαίτησης, στείλτε το εργαλείο, πλήρως συναρμολογημένο, στον αντιπρόσωπό σας ή στο εξουσιοδοτημένο σέρβις για ηλεκτρικά εργαλεία.

ΔΗΛΩΣΗ ΣΥΜΜΟΡΦΩΣΗΣ

- Δηλώνουμε με αποκλειστική ευθύνη ότι το προϊόν αυτό συμμορφώνεται με τα παρακάτω πρότυπα ή τυποποιημένα έγγραφα: EN 60745-1, EN 60745-2-3, EN 55014-1, EN 55014-2, EN 61000-3-2, EN 61000-3-3 σύμφωνα με τις διατάξεις των οδηγιών 2006/42/EC, 2014/30/EU.

■ Τεχνικός φάκελος στην:

FF GROUP TOOL INDUSTRIES S.A.,
19300 Ασπρόπυργος-Ελλάδα

Λουδοβίκος Τσιριγιώτης
Operations & Engineering

FF GROUP TOOL INDUSTRIES S.A.,
19300, Ασπρόπυργος-Ελλάδα 03/09/2018

SRPSKI

ΟΠΣΤΑ UΠOΖOΡΕΝJΑ ΖΑ ΕΛΕΚΤΡΙΧΕΣ ΑΛΑΤΕ

Ϊιταjte sva upozorenja i uputstva. Propusti kod pridržavanja upozorenja i uputstava mogu imati za posledicu električni udar, požar i/ili teške povrede.

Ϊuvajte sva upozorenja i uputstva za budućnost. Pojam upotrebljen u upozorenjima „električni alat“ odnosi se na električne alate sa radom na mreži (sa mrežnim kablom) i na električne alate sa radom na akumulator (bez mrežnog).

SIGURNOST NA RADNOM MESTU

- Držite Vaše radno područje čisto i dobro osvetljeno. Nered ili neosvetljena radna područja mogu voditi nesrećama.
- Ne radite sa električnim alatom u okolini ugroženoj eksplozijom, u kojoj se nalaze zapaljive tečnosti, gasovi ili prašine. Električni alati prave varnice koje mogu zapaliti prašinu ili isparenja.
- Držite podalje decu i druge osobe za vreme korišćenja električnog alata. Prilikom rada možete izgubiti kontrolu nad aparatom.

ELEKTRIČNA SIGURNOST

- Priključni utikač električnog alata mora odgovarati utičnici. Utikač nesme nikako da se menja. Ne upotrebljavajte adaptere utikača zajedno sa električnim alatima zaštićenim uzemljenjem. Ne promenjeni utikači i odgovarajuće utičnice smanjuju rizik električnog udara.
- Izbegavajte kontakt telom sa uzemljenim površinama kao cevi, grejanja, šporet i rashladni ormani. Postoji povećani rizik od električnog udara ako je Vaše telo uzemljeno.
- Držite aparat što dalje od kiše ili vlage. Prodor vode u električni alat povećava rizik od električnog udara.
- Ne nosite električni alat za kabl, ne vešajte ga ili ne izvlačite ga iz utičnice. Držite kabl dalje od vreline, ulja, oštrih ivica ili delova aparata koji se pokreću. Oštećeni ili uvrnuti kablovi povećavaju rizik električnog udara.
- Ako sa električnim alatom radite u prirodi, upotrebljavajte samo produžne kablove koji su pogodni za spoljnu upotrebu. Upotreba produžnog kabla uzemljenog za spoljnu upotrebu smanjuje rizik od električnog udara.
- Ako rad električnog alata ne može da se izbegne u vlažnoj okolini, koristite prekidač strujne zaštite pri kvaru. Upotreba prekidača strujne zaštite pri kvaru smanjuje rizik od električnog udara.

SIGURNOST OSOBLJA

- Budite pažljivi, pazite na to, šta radite i idite razumno na posao sa Vašim električnim alatom. Ne koristite električni alat ako ste umorni ili pod uticajem droge, alkohola ili lekova. Momenat nepažnje kod upotrebe električnog alata može voditi ozbiljnim povredama.
- Nosite ličnu zaštitnu opremu i uvek zaštitne naočare. Nošenje lične zaštitne opreme, kao maske za prašinu, sigurnosne cipele koje ne klišu, zaštitni šlem ili zaštitu za sluh, zavisno od vrste i upotrebe električnog alata, smanjuju rizik od povreda.
- Izbegavajte nenamerno puštanje u rad. Uverite se da je električni alat isključen, pre nego što ga priključite na struju i/ili na akumulator, uzmete ga ili nosite. Ako prilikom nošenja električnog alata držite prst na prekidaču ili aparat uključen priključujete na struju, može ovo vo-

ditu nesrećama.

- Uklonite alate za podešavanje ili ključeve za zavrtnje, pre nego što uključite električni alat. Neki alat ili ključ koji se nalazi u rotirajućem delu aparata, može voditi nesrećama.
- Izbegavajte nenormalno držanje tela. Pobrinite se uvek da stabilno stojite i održavajte u svako doba ravnotežu. Na taj način možete bolje kontrolisati električni alat u neočekivanim situacijama.
- Nosite pogodnu odecu. Ne nosite široku odecu ili nakit. Držite kosu, odecu i rukavice dalje od pokretnih delova. Opušteno odelo, dugu kosu ili nakit mogu zahvatiti rotirajući delovi.
- Ako mogu da se montiraju uredjaji za usisavanje i skupljanje prašine, verite se da li su priključeni i upotrebljeni kako treba. Upotreba usisavanja prašine može smanjiti opasnosti od prašine.

BRILJIVJA UPOTREBA I OPHODJENJE SA ELEKTRIČNIM ALATIMA

- Ne preopterećujte aparat. Upotrebljavajte za Vaš posao električni alat određen za to. Sa odgovarajućim električnim alatom radite bolje i sigurnije u navedenom području rada.
- Ne koristite nikakav električni alat čiji je prekidač u kvaru. Električni alat koji se ne može više uključiti ili isključiti, je opasan i mora se popraviti.
- Izvucite utikač iz utičnice i/ili uklonite akumulator pre nego što preduzmete podešavanja na aparatu, promenu delova pribora ili ostavite aparat. Ova mera opreza sprečava nenameran start električnog alata.
- Čuvajte nekorišćene električne alate izvan dometa dece. Ne dozvoljavajte korišćenje aparata osobama koje ne poznaju aparat ili nisu pročitale ova uputstva. Električni alati su opasni, kada ih koriste neiskusne osobe.
- Održavajte briljivno električni alat. Kontrolišite da li pokretni delovi aparata besprekorno funkcionišu i ne „lepe“, da li su delovi polomljeni ili su tako oštećeni da je oštećena funkcija električnog alata. Popravite ove oštećene delove pre upotrebe. Mnoge nesreće imaju svoje uzroke u loše održavanim električnim alatom.
- Održavajte alate za sečenja oštre i čiste. Briljivije održavani alati za sečenja sa oštrim ivicama manje „slepljuju“ i lakše se vode.
- Upotrebljavajte električni alat, pribor, alate koji se umeću itd. prema ovim uputstvima. Obratite pažnju pritom na uslove rada i posao koji morate obaviti. Upotreba električnih alata za druge namene koje nisu predviđene, može voditi opasnim situacijama.

SERVISI

Neka Vam Vaš električni alat popravljaju samo kvalifikovano osoblje i samo sa originalnim rezervnim delovima. Tako se obezbeđuje, da ostane sačuvana sigurnost aparata.

SIGURNOSNA UPUTSTVA ZA UGAONE BRUSILICE

ZAJEDNIČKO UPUTSTVO SA UPOZORENJEM ZA BRUŠENJE, BRUŠENJE BRUSNIM PAPIROM, RADOVA SA ČELIČNIM ČETKAMA I BRUŠENJE SA PRESECANJEM

- Ovaj električni alat se može koristiti kao brusilica, brusilica sa brusnim papirom, čelična četka i mašina za brušenje i presecanje. Obratite pažnju na uputstva sa

upozorenjem, savete, prikaze i podatke, koje ste dobili sa električnim alatom. Ako ne obratite pažnju na sledeća uputstva, može doći do električnog udara, požara i/ili teških povreda.

- Ovaj električni alat nije pogodan za poliranje. Primene za koje električni alat nije predviđen, mogu prouzrokovati opasnosti i povrede.
- Ne koristite pribor, koji proizvođač nije specijalno preporučio za ovaj električni alat. Samo zato što pribor možete da pričvrstite na Vaš električni alat, ne garantuje sigurnu upotrebu.
- Dozvoljeni broj obrtaja upotrebljenog alata mora najmanje biti tako visok kao i najveći broj obrtaja naznačen na električnom alatu. Pribor koji se okreće brže nego što je dozvoljeno, može se slomiti ili razleteti okolo.
- Spoljni presek i debljina upotrebljenog električnog alata moraju odgovarati gabaritima Vašeg električnog alata. Pogrešno izmereni upotrebljeni električni alati ne mogu se dovoljno zaštititi ili kontrolisati.
- Upotrebljeni alati sa navojem moraju tačno odgovarati navoju brusnog vretena. Kod upotrebljenih alata, koji se montiraju pomoću prirubnice, mora presek otvora upotrebljenog alata da odgovara preseku prihvata na prirubnici. Upotrebljeni alati koji se ne pričvršćuju tačno na električnom alatu, se okreću neravnomerno, vibriraju veoma jako i mogu uticati na gubitak kontrole.
- Ne upotrebljavajte oštećene alate. Kontrolišite pre svake upotrebe uzete alate kao što su brusne ploče da li se cepaju i imaju naprsline, brusne disкове na naprsline, habanje ili jaku istrošenost, čelične četke da li ima slobodnih ili polomljenih čiča. Ako bi električni alat ili upotrebljeni alat pao dole, prokontrolišite, da li je oštećen, ili upotrebite neoštećeni alat. Ako ste upotrebljeni alat prokontrolisali i ubacili, držite se kao i osobe koje se nalaze u blizini izvan ravni upotrebljenog alata koji se okreće i pustite električni alat jedan minut da se okreće sa najvišim obrtajima. Oštećeni upotrebljeni alati se u najviše slučajeva lome prilikom ovoga testa.
- Nosite ličnu zaštitnu opremu. Upotrebljavajte zavisno od namene potpunu zaštitu za lice, zaštitu za oči ili zaštitne naočare. Ako odgovara, nosite masku za prašinu, zaštitu za sluh, zaštitne rukavice ili specijalnu kecliju, koja male čestice od brušenja i materijal drže na odstojanju od Vas. Oči treba da budu zaštićene od stranih tela koja bi letela okolo, koja nastaju pri različitim radovima. Maska za prašinu ili disanje mora filtrirati prašinu koja nastaje prilikom rada. Ako ste izloženi dugo glasnoj buci, možete izgubiti i sluh.
- Pazite kod drugih osoba na sigurno rastojanje do vašeg područja rada. Svako ko udje u područje rada, mora nositi ličnu zaštitnu opremu. Odlomljeni komadi radnog komada ili polomljenog upotrebljenog alata mogu odleteti i prouzrokovati povrede i izvan direktnog radnog područja.
- Držite uredjaj samo za izolovane drške, kada izvodite radove, pri kojima upotrebljeni alat može sresti skrivene vodove struje ili vlastiti mrežni kabel. Kontakt sa vodom koji provodi napon može staviti pod napon i metalne delove uredjaja i uticati na električni udar.
- Držite mrežni kabel dalje od upotrebljenih električnih alata koji se okreću. Ako izgubite kontrolu nad električnim alatom, može se mrežni kabel prekinuti ili biti zahvaćen i Vaša ruka ili Vaša šaka dospeti u upotrebljeni alat koji se okreće.
- Ne ostavljajte nikada električni alat pre nego što se je upotrebljeni alat potpuno umirio. Upotrebljeni alat koji

se okreće može dospeti u kontakt sa površinom za odlaganje, kada možete izgubiti kontrolu nad električnim alatom.

- ▶ Ne dopustite da električni alat radi, dok ga nosite. Vaše odelo može biti zahvaćeno slučajnim kontaktom sa upotrebljenim alatom koji se okreće i upotrebljeni alat može povrediti Vaše telo.
- ▶ Čistite redovno proreze za vazduh Vašeg električnog alata. Motorna duvaljka vuče prašinu u kućište i dosta sakupljene metalne prašine može prouzrokovati električnu opasnost.
- ▶ Ne upotrebljavajte električni alat u blizini zapaljivih materijala. Varnice mogu zapaliti ove materijale.
- ▶ Ne upotrebljavajte nikakve alate koji traže tečno rashladno sredstvo. Upotreba vode ili drugih tečnih rashladnih sredstava može uticati na električni udar.

POVRATAN UDARAC I ODGOVARAJUĆE UPUTSTVA SA UPOZORENJIMA

- ▶ Povratni udarac je iznenadna reakcija usled upotrebljenog alata koji se okreće i zapinje ili blokira, kao što su brusne ploče, brusni diskovi, čelične četke itd. Kačenje ili blokiranje utiču na iznenadno zaustavljanje upotrebljenog alata koji se okreće. Tako se ubrzava nekontrolisani električni alat nasuprot pravca okretanja upotrebljenog alata na strani blokiranja. Ako na primer zapinje ili blokira neka brusna ploča u radnom komadu, može se ivica brusne ploče koja ulazi u radni komad, zaplesti i tako polomiti brusnu ploču ili prouzrokovati povratni udar. Brusna ploča se pokreće tada na radnu osobu ili od nje, zavisno od pravca okretanja ploče na strani blokiranja. Pritom se mogu slomiti i brusne ploče. Povratan udarac je posledica pogrešne ili manjkave upotrebe električnog alata. On se može sprečiti pogodnim merama opreza, kao što je kasnije opisano.
- ▶ Držite električni alat dobro i čvrsto i dovedite Vaše telo i vaše šake u poziciju, u kojoj možete prihvatiti silu povratnog udara. Koristite uvek dodatnu dršku, ako postoji, da bi imali najbolju moguću kontrolu nad silama povratnog udara ili nad reakcionim momentima pri većim obrtajima. Osoba koja radi može pogodnim merama opreza savladati silu povratnog udara i sile reakcije.
- ▶ Ne dovodite Vašu ruku nikada u blizinu upotrebljenih alata koji se okreću. Upotrebljeni alat može se pokrenuti preko Vaše šake pri povratnom udarcu.
- ▶ Izbegavajte sa Vašim telom područje, u koje se električni alat kreće pri povratnom udarcu. Povratni udarac tera električni alat u pravcu suprotnom od pokretanja brusne ploče na strani blokade.
- ▶ Radite posebno oprezno u području čoškova, oštarih ivica itd. Sprečite da se upotrebljeni alat odbije od radnog komada i slepljuje. Upotrebljeni alat koji se okreće sklon je u čoškovima, kod oštarih ivica i ako se odbije, tome da se zaglavi. Ovo prouzrokuje gubitak kontrole ili povratan udarac.
- ▶ Ne upotrebljavajte lančanu testeru ili lisnatu testeru sa zubima. Takvi upotrebljeni alati prouzrokuju često povratan udarac ili gubitak kontrole nad električnim alatom.

POSEBNA UPUTSTVA SA UPOZORENJEM ZA BRUŠENJE I BRUŠENJE SA PRESECANJEM

- ▶ Upotrebljavajte isključito brusne alate koji su dozvoljeni za Vaš električni alat i zaštitnu haubu predviđenu za

ove brusne alate. Brusni alati koji nisu predviđeni za električni alat, ne mogu se dovoljno zaštititi i nesigurni su.

- ▶ Brusne ploče sa udubljenim centralnim delom se moraju tako montirati da njihova površina brušenja ne strši iznad ravni ivice zaštitne kape. Ne može se propisno zaštititi nestručno montirana brusna ploča koja strši iznad ravni ivice zaštitne kape. Zaštitna hauba mora sigurno da se namesti na električnom alatu i tako da se podesi da bude maksimalno sigurna, da najmanji mogući deo brusnog alata otvoreno pokazuje na osobu koja radi. Zaštitna hauba pomaže da zaštiti osobu koja radi od lomljenih komada, slučajnog kontakta sa brusnim alatom kao i varnica, koje bi mogle zapaliti odelo.
- ▶ Brusni alati smeju se koristiti samo za preporučene mogućnosti upotrebe. Na primer: Ne brusite nikada sa bočnom stranom ploče za presecanje. Ploče za presecanje su određene za obradu materijala sa ivicom ploče. Bočno delovanje sile na brusne alate može iz prelomiti.
- ▶ Upotrebljavajte uvek neoštećenu zateznu prirubnicu sa pravom veličinom i oblikom za brusnu ploču koju ste izabrali. Pogodna prirubnica štiti brusnu ploču i smanjuje tako opasnost od loma brusne ploče. Prirubnice za ploče za presecanje mogu se razlikovati od prirubnica za druge brusne ploče.
- ▶ Ne upotrebljavajte istrošene brusne ploče velikih električnih alata. Brusne ploče za velike električne alate nisu konstruisane za veće obrtaje manjih električnih alata i mogu se slomiti.

DALJA POSEBNA UPUTSTVA SA UPOZORENJEM ZA PLOČE ZA PRESECANJE

- ▶ Izbegavajte blokiranje ploče za presecanje ili prevelik pritisak. Ne izvodite prekomerno duboke preseke. Preopterećenje ploče za presecanje povećava njeno opterećenje i podložnost za isketanje ili blokiranje a time i mogućnost povratnog udara ili loma brusnog alata.
- ▶ Izbegavajte područje ispred i iza ploče za presecanje koja se okreće. Ako ploču za presecanje u radnom komadu pokrećete od sebe, može u slučaju povratnog udara električni alat sa pločom koja se okreće direktno biti izbačena na Vas.
- ▶ Ako ploča za presecanje zaglavljuje ili prekidate rad, isključite električni alat i držite ga mirno, dok se ploča ne umiri. Ne pokušavajte nikada da ploču za presecanje koja se još okreće izvadite iz reza, jer može uslediti povratni udarac. Pronadjite i uklonite uzrok zaglavlivanja.
- ▶ Ne uključujte električni alat ponovo, dokle god se nalazi u radnom komadu. Pustite da ploča za presecanje prvo dostigne svoje pune obrtaje, pre nego što oprezno nastavite sečenje. U drugom slučaju može ploča zakačiti, iskočiti iz radnog komada ili prouzrokovati povratni udarac.
- ▶ Učvrstite ploče ili velike radne komade, da bi smanjili rizik povratnog udara usled zaglavljene ploče za presecanje. Veliki radni komadi se mogu savijati usled svoje velike težine. Radni komad se mora učvrstiti na obe strane, i to kako u blizini presecanja tako i na ivici.
- ▶ Budite posebno oprezni kod „sečenja džepova“ u postojeće zidove ili druga nevidljiva područja. Ubačena ploča za presecanje može kod presecanja gasovoda ili vodovoda, električnih vodova ili drugih objekata prouzrokovati povratni udar.

POSEBNA UPUTSTVA SA UPOZORENJEM ZA BRUŠENJE BRUSNIN PAPIROM

- Ne koristite predimenzionirane brusne listove, već sledite podatke proizvođača u vezi veličine brusnog lista. Brusni listovi koji su veći od brusne ploče, mogu uzrokovati povrede kao i blokiranje, kidanje brusnog lista ili voditi povratnom udarcu.

POSEBNA UPUTSTVA SA UPOZORENJEM ZA RAD SA ŽIČANIM ČETKAMA


- Obratite pažnju da žičana četka i za vreme uobičajene upotrebe gubi komade žice. Ne preopterećujte žice suviše velikim pritiskom. Komadi žice koji se razleću mogu vrlo lako prodrati kroz tanko odelo i/li kožu.
- Ako se preporučuje zaštitna hauba, sprečite da se zaštitna hauba i žičana četka mogu dodirivati. Tanjiraste i lončaste četke mogu pritiskivanjem i centrifugalnom silom uvećati svoj presek.

DODATNA UPUTSTVA SA UPOZORENJEM

- Nosite zaštitne naočare.
- Upotrebljavajte pogodne aparate za potragu, da bi našli skrivene vodove snabdevanja, ili pozovite mesno društvo za snabdevanje. Kontakt sa električnim vodovima može voditi požaru i električnom udaru. Oštećenja gasovoda mogu voditi eksploziji. Prodiranje u vod sa vodom prouzrokuje oštećenja predmeta ili može prouzrokovati električni udar.
- Deblokirajte prekidač za uključivanje/isključivanje i dovedite ga u isključeni položaj, ako se prekine snabdevanje strujom, odnosno usled nestanka struje ili izvlačenjem mrežnog utikača.
- Ne hvatajte brusne i ploče za razdvajanje pre nego što se ohlade. Ploče se u radu veoma ugreju.
- Obezbedite radni komad. Radni komad kojeg čvrsto držite zatezni uređaj ili stega sigurnije se drži nego sa Vašom rukom.

POVEZIVANJE ELEKTRIČNOG NAPAJANJA

Uverite se da se podaci o električnom napajanju na natpisnoj pločici aparata poklapaju sa električnim napajanjem na koje želite da ga povežete. Ovo je aparat klase II * i predviđen je za povezivanje na električno napajanje koje odgovara podacima na natpisnoj pločici i kompatibilno je sa montiranim utikačem. Ako je potreban produžni kabl, koristite odobreni i kompatibilni kabl koji je predviđen za ovaj aparat. Pratite uputstvo koje ste dobili uz produžni kabl.

*Dvostruka izolacija  : Ovaj proizvod ne zahteva proizvodnik za uzemljenje zato što je dodatna izolacija primenjena na osnovnu izolaciju radi zaštite od električnog udara u slučaju kvara osnovne izolacije.

SMERNICE ZA KORIŠĆENJE PRODUŽNIH KABLOVA

- Proverite da li je produžni kabl u dobrom stanju. Prilikom korišćenja produžnog kabla, vodite računa da koristite kabl koji je predviđen za struju koju će vaš proizvod da vuče. Previše slab kabl će dovesti do pada linijskog napona, što dovodi do gubitka snage i pregrevanja.
- Uvek zamenite oštećeni produžni kabl ili neka ga popravi kvalifikovana osoba pre korišćenja.
- Zaštitite produžne kablove od oštirih predmeta, prekomerne toplote i vlažnih/mokrih područja.
- Koristite posebno električno kolo za vaše alate. Ovo kolo treba da bude zaštićeno odgovarajućim osiguračem sa vremenskim odlaganjem. Pre povezivanja mo-

tora na vod za napajanje, pobrinite se da prekidač bude u položaju ISKLJUČENO i da nominalni električni napon bude isti kao napon utisnut na nazivnoj pločici motora. Rad na niskom naponu će oštetiti motor.

SPECIFIKACIJE PROIZVODA

NAMENA

Električni alat je namenjen za presecanje, grubo brušenje i obradu četkom metala i kamena, bez upotrebe vode.

TEHNIČKI PODACI

Br. art.	41628	
Model	AG 115/750 PLUS	
Nominalni napon	V	230-240
	Hz	50/60
Putere nominalā	W	750
Turaĳie nominalā	min ⁻¹	12.000
Diametru max. diš de űlefruit	mm	115
Filet arbore de polizat	M	14
Lungime maximā filet arbore de polizat	mm	11,5
Teűina	kg	1,7

Vrednosti emisije űumova se odreĳuju u skladu sa EN 60745-1

A-vrednovan nivo űumova ureĳaja iznosi tipično

Nivo zvuĳnog pritiska	dB(A)	90
Nivo zvuĳne snage	dB(A)	101
Nesigurnost K	dB	3

Ukupne vrednosti vibracija a_v (zbir vektora tri pravca) i nesigurnost K su dobujeni prema EN 60745-1

Nivo vibracija:

a _{b,AG}	m/s ²	6,559
K	m/s ²	1,5

INFORMACIJE O űUMOVIMA/VIBRACIJAMA

Nivo vibracija naveden u ovim uputstvima je izmeren prema mernom postupku koji je standardizovan u EN 60745 i moűe da se koristi za poreĳenje elektriĳnih alata jedan sa drugim. Pogodan je i za privremenu procenu opterećenja vibracijama. Navedeni nivo vibracija predstavlja prvenstveno primenu elektriĳnog alata. Ako se svakako elektriĳni alat upotrebljava za druge namene sa pomoću razliĳitih pribora ili nedovoljno održavanja, moűe doći do odstupanja nivoa vibracija. Ovo moűe u znaĳajnoj meri povećati opterećenje vibracijama preko celog radnog vremena.

Za taĳnu procenu opterećenja vibracijama trebalo bi uzeti u obzir i vreme, u kojem je ureĳaj ukljuĳen ili radi, meĳutim nije stvarno u upotrebi. Ovo moűe znaĳajno redukovati opterećenje vibracijama preko celog radnog vremena. Utvrdite dodatne mere sigurnosti radi zaštite radnika pre delovanja vibracija kao na primer: Održavanje elektriĳnog alata i upotrebljeni alati, održavanje toplih ruku, organizacija odvijanja posla.

OZNAKA

1. Prekidač za uključivanje-isključivanje
2. Taster za blokadu vretena
3. Dodatna drška
4. Štitnik
5. Šraf štitnika
6. Vreteno
7. Spone štitnik
8. Ključ
9. Podloška štitnik

UPUTSTVO ZA KORIŠĆENJE**POSTAVLJANJE PRIBORA (E)**

- ▶ Očistite vreteno **(06)** i sve delove koje ćete postaviti.
- ▶ Pričvrstite spone štitnika **(07)** pomoću ključa **(08)** dok pritisunate dugme za zaključavanje vretena **(02)**.
- ▶ Za skidanje pribora držati naopake.

POSTAVLJANJE POMOĆNU RUČICU (C)

Zavrните dodatnu dršku **(03)** zavisno od načina rada desno ili levo na glavi prenosioca.

SKIDANJE/POSTAVLJANJE/PODEŠAVANJE ŠTITNIKA (B)

- ▶ Otvorite štitnika **(04)** otpuštanjem šrafa **(05)**.
- ▶ Postavite štitnika **(04)** na prsten vretena glave alata i okretanjem ga postavite na željenu poziciju (u zavisnosti od vrste rada).
- ▶ Pričvrstite štitnika **(04)** pritezanjem šrafa **(05)**.

PRE KORIŠĆENJE ELEKTRIČNOG ALATA

- ▶ Proverite da li je pribor ispravno postavljen i snažno pričvršćen.
- ▶ Proverite da li pribor može da se pomera, tako što ćete ga ručno pokrenuti.
- ▶ Probno pokrenite alat najmanje 60 sekundi na najvećoj brzini pri praznom hodu i u sigurnom položaju.
- ▶ Odmah prekinite rad ukoliko dođe do većih vibracija ili drugih nepravilnosti u radu i pregledajte alat, da biste odredili uzrok.

UKLJUČIVANJE-ISKLJUČIVANJE (D)

- ▶ Za početak rada elektroalata gurnite prekidač za uključivanje/isključivanje **(01)** unapred.
- ▶ Zafiksiranje prekidača za uključivanje/isključivanje **(01)** pritisakajte prekidač za uključivanje/isključivanje **(01)** napred nadole, dok ne ulegne.
- ▶ Da biste električni alat isključili, pustite prekidač za uključivanje-isključivanje **(01)** odnosno, kada je fiksiran, pritisnite prekidač uključivanje-isključivanje **(01)** kratko pozadi nadole i onda ga otpustite.

BRUŠENJE

- ▶ Sa podešenim uglom od 30° do 40° dobijate pri grubom brušenju najbolje rezultate u radu. Pokrećite električni alat sa umerenim pritiskom tamo-amo. Tako radni komad neće postati vreo, neće promeniti boju i neće biti brazdi.
- ▶ Ne koristite nikada ploče za presecanje za grubo brušenje.

SEČENJE

- ▶ Uri sečenju nemojte da naginjete alat.
- ▶ Uvek pomerajte električni alat u pravcu strelice na vrhu alata, da biste sprečili da alat nekontrolisano sklizne iz

reza.

- ▶ Nemojte da pritisunate električni alat; pustite da disk za sečenje sâm radi.
- ▶ Radna brzina diska za sečenje zavisi od materijala koji se seče.
- ▶ Nemojte bočnim pritiskom da slomite disk za sečenje.

ODRŽAVANJE

Redovne kontrole i čišćenje smanjuju potrebu za održavanjem i obezbeđuju dobro radno stanje vašeg alata. Motor se mora pravilno provetravati tokom rada alata. Zato nemojte da blokirate ulaze za vazduh.

ZAŠTITA ŽIVOTNE SREDINE

Reciklirajte sirovine umesto odlaganja na otpad. Mašinu, pribor i ambalažu treba razvrstati za ekološku reciklažu. Plastične komponente su označene za kategorizovanu reciklažu.

OBJAŠNJENJE SIMBOLA

Dvostruka izolacija



Samo za korišćenje u zatvorenom prostoru. Nemojte izlagati kiši.



- Nosite zaštitu za oči.
- Oštećenje pluća ako se ne koristi efikasna maska za zaštitu od prašine.
- Oštećenje sluha ako se ne koristi efikasna zaštita sluha.



Nosite zaštitne rukavice



Ne koristite oštećen i napukao točak za brušenje



Kako bi se smanjili rizici od povreda, neophodno je da korisnik pročita i razume ovo uputstvo pre korišćenja proizvoda.



Važno!



Usklađeno sa odgovarajućim standardima za bezbednost

GARANCIJA

Za ovaj proizvod se daje garancija u skladu sa zakonskim/lokalnim propisima i ona važi od datuma kupovine od strane prvog korisnika. Oštećenja koja se mogu pripisati normalnom habanju i trošenju, preopterećenju ili nepravilnom rukovanju biće isključena iz garancije. U slučaju reklamacije, pošaljite mašinu, kompletno sastavljenu, vašem prodavcu ili servisnom centru za električne alate.

DEKLARACIJA O USKLAĐENOSTI 

- Pod punom odgovornošću izjavljujemo da je ovaj proizvod usklađen sa sledećim standardima ili standardizovanim dokumentima: EN 60745-1, EN 60745-2-3, EN 55014-1, EN 55014-2, EN 61000-3-

2, EN 61000-3-3 u skladu sa odredbama smernica 2006/42/EC, 2014/30/EU.

- **Tehnička dokumentacija kod:**
FF GROUP TOOL INDUSTRIES S.A.,
19300, Aspropyrgos-Greece

Loudovikos Tsirigiotis
Operations & Engineering

FF GROUP TOOL INDUSTRIES S.A., 19300
Aspropyrgos-Greece. 03/09/2018



ROMÂNĂ

INDICAȚII GENERALE DE AVERTIZARE PENTRU SCULE ELECTRICE

Citiți toate indicațiile de avertizare și instrucțiunile. Nerespectarea indicațiilor de avertizare și a instrucțiunilor poate provoca electrocutare, incendii și/sau răniri grave. Păstrați toate indicațiile de avertizare și instrucțiunile în vederea utilizărilor viitoare. Termenul de „sculă electrică” folosit în indicațiile de avertizare se referă la sculele electrice alimentate de la rețea (cu cablu de alimentare) și la sculele electrice cu acumulator (fără cablu de alimentare).

SIGURANȚA LA LOCUL DE MUNCĂ

- Mențineți-vă sectorul de lucru curat și bine iluminat. Dezordinea sau sectoarele de lucru neluminate pot duce la accidente.
- Nu lucrați cu scula electrică în mediu cu pericol de explozie, în care există lichide, gaze sau pulberi inflamabile. Sculele electrice generează scânteii care pot aprinde praful sau vaporii.
- Nu permiteți accesul copiilor și al altor persoane în timpul utilizării sculei electrice. Dacă vă este distrasă atenția puteți pierde controlul asupra mașinii.

SIGURANȚĂ ELECTRICĂ

- Ștecherul sculei electrice trebuie să fie potrivit prizei electrice. Nu este în nici un caz permisă modificarea ștecherului. Nu folosiți fișe adaptoare la sculele electrice legate la pământ de protecție. Ștecherule nemodificate și prizele corespunzătoare diminuează riscul de electrocutare.
- Evitați contactul corporal cu suprafețe legate la pământ ca țevi, instalații de încălzire, sobe și frigider. Există un risc crescut de electrocutare atunci când corpul vă este legat la pământ.
- Feriți mașina de ploaie sau umezeală. Pătrunderea apei într-o sculă electrică mărește riscul de electrocutare.
- Nu schimbați destinația cablului folosindu-l pentru transportarea sau suspendarea sculei electrice ori pentru a trage ștecherul afară din priză. Feriți cablul de căldură, ulei, muchii ascuțite sau componente aflate în mișcare. Cablurile deteriorate sau încurcate măresc riscul de electrocutare.
- Atunci când lucrați cu o sculă electrică în aer liber, folosiți numai cabluri prelungitoare adecvate și pentru mediul exterior. Folosirea unui cablu prelungitor adecvat pentru mediul exterior diminuează riscul de electrocutare.
- Atunci când nu poate fi evitată utilizarea sculei electrice în mediu umed, folosiți un întrerupător automat de protecție împotriva tensiunilor periculoase. Întrebuițarea unui întrerupător automat de protecție împotriva tensiunilor periculoase reduce riscul de electrocutare.

SIGURANȚA PERSOANELOR

- Fiți atenți, aveți grijă de ceea ce faceți și procedați rațional atunci când lucrați cu o sculă electrică. Nu folosiți scula electrică atunci când sunteți obosiți sau vă aflați sub influența drogurilor, a alcoolului sau a medicamentelor. Un moment de neatenție în timpul utilizării mașinii poate duce la răniri grave.
- Purtați echipament personal de protecție și întotdeauna

na ochelari de protecție. Purtarea echipamentului personal de protecție, ca masca pentru praf, încălțăminte de siguranță antiderapantă, casca de protecție sau protecția auditivă, în funcție de tipul și utilizarea sculei electrice, diminuează riscul rănilor.

- ▶ Evitați o punere în funcțiune involuntară. Înainte de a introduce ștecherul în priză și/sau de a introduce acumulatorul în scula electrică, de a o ridica sau de a o transporta, asigurați-vă că aceasta este oprită. Dacă atunci când transportați scula electrică țineți degetul pe întrerupător sau dacă porniți scula electrică înainte de a o racorda la rețeaua de curent, puteți provoca accidente.
- ▶ Înainte de pornirea sculei electrice îndepărtați dispozitivele de reglare sau cheile fixe din aceasta. Un dispozitiv sau o cheie lăsată într-o componentă de mașină care se rotește poate duce la răni.
- ▶ Evitați o ținută corporală nefirească. Adoptați o poziție stabilă și mențineți-vă întotdeauna echilibrul. Astfel veți putea controla mai bine mașina în situații neașteptate.
- ▶ Purtați îmbrăcăminte adecvată. Nu purtați îmbrăcăminte largă sau podoabe. Feriți părul, îmbrăcăminte și mânușile de piesele aflate în mișcare. Îmbrăcăminte largă, părul lung sau podoabele pot fi prinse în piesele aflate în mișcare.
- ▶ Dacă pot fi montate echipamente de aspirare și colectare a prafului, asigurați-vă că acestea sunt racordate și folosite în mod corect. Folosirea unei instalații de aspirare a prafului poate duce la reducerea poluării cu praf.

UTILIZAREA ȘI MANEVRAREA ATENTĂ A SCULELOR ELECTRICE

- ▶ Nu suprasolicitați mașina. Folosiți pentru executarea lucrării dv. scula electrică destinată aceluși scop. Cu scula electrică potrivită lucrați mai bine și mai sigur în domeniul de putere indicat.
- ▶ Nu folosiți scula electrică dacă aceasta are întrerupător defect. O sculă electrică, care nu mai poate fi pornită sau oprită, este periculoasă și trebuie reparată.
- ▶ Scoateți ștecherul afară din priză și/sau îndepărtați acumulatorul, înainte de a executa reglaje, a schimba accesoriul sau de a pune mașina la o parte. Această măsură de prevedere împiedică pornirea involuntară a sculei electrice.
- ▶ Păstrați sculele electrice nefolosite la loc inaccesibil copiilor. Nu lăsați să lucreze cu mașina persoane care nu sunt familiarizate cu aceasta sau care nu au citit aceste instrucțiuni. Sculele electrice devin periculoase atunci când sunt folosite de persoane lipsite de experiență.
- ▶ Întrețineți-vă scula electrică cu grijă. Controlați dacă componentele mobile ale sculei electrice funcționează impecabil și dacă nu se blochează, sau dacă există piese rupte sau deteriorate astfel încât să afecteze funcționarea sculei electrice. Înainte de utilizare dați la reparat piesele deteriorate. Cauza multor accidente a fost întreținerea necorespunzătoare a sculelor electrice.
- ▶ Mențineți bine ascuțite și curate dispozitivele de tăiere. Dispozitivele de tăiere întreținute cu grijă, cu tășuri ascuțite se întepenesc în mai mică măsură și pot fi conduse mai ușor.
- ▶ Folosiți scula electrică, accesoriile, dispozitivele de lucru etc. conform prezentelor instrucțiuni. Țineți cont de condițiile de lucru și de activitatea care trebuie desfășurată. Folosirea sculelor electrice în alt scop decât pentru utilizările prevăzute, poate duce la situații periculoase.

SERVICE

Încredințați scula electrică pentru reparare numai personalului de specialitate, calificat în acest scop, repararea făcându-se numai cu piese de schimb originale. Astfel veți fi siguri că este menținută siguranța mașinii.

INSTRUCȚIUNI DE SIGURANȚĂ PENTRU POLIZOARE UNGHIULARE

INDICAȚII DE AVERTIZARE COMUNE PENTRU ȘLEFUIRE, ȘLEFUIRE CU HÂRTIE ABRAZIVĂ, LUCRUL CU PERII DE SĂRMĂ ȘI TĂIERE.

- ▶ Această sculă electrică se va folosi ca polizor, mașină de șlefuit cu hârtie abrazivă, perie de sărmă și mașină specială de retezat cu disc abraziv. Respectați toate avertismentele, instrucțiunile, reprezentările și datele primite împreună cu scula electrică. În cazul în care nu veți respecta următoarele instrucțiuni, se poate ajunge la electrocutare, incendii și/sau răni grave.
- ▶ Această sculă electrică nu este adecvată pentru lustruire. Utilizările care nu sunt recomandate pentru această sculă electrică pot cauza situații periculoase și răni.
- ▶ Nu folosiți accesoriul care nu sunt prevăzute și recomandate în mod special de către producător pentru această sculă electrică. Faptul în sine că accesoriul respectiv poate fi montat pe scula dumneavoastră electrică nu garantează în niciun caz utilizarea lui sigură.
- ▶ Turația admisă a accesoriului trebuie să fie cel puțin egală cu turația maximă indicată pe scula electrică. Un accesoriu care se rotește mai repede decât este admis, se poate rupe, iar bucățile desprinse pot zbura în toate părțile.
- ▶ Diametrul exterior și grosimea dispozitivului de lucru trebuie să corespundă datelor dimensionale ale sculei dumneavoastră electrice. Dispozitivele de lucru greșit dimensionate nu pot fi protejate sau controlate în suficientă măsură.
- ▶ Accesoriile prevăzute cu inserție filetată trebuie trebuie să se potrivească exact pe filetul arborelui de polizat. La accesoriile montate prin flanșe, diametrul găurii accesoriului trebuie să se potrivească cu diametrul de prindere al flanșei. Accesoriile care nu sunt fixate exact la scula electrică, se rotesc neuniform, vibrează foarte puternic și pot duce la pierderea controlului.
- ▶ Nu folosiți dispozitive de lucru deteriorate. Înainte de fiecare utilizare controlați dacă dispozitivele de lucru ca discurile de șlefuit nu sunt sparte și fisurate, dacă discurile abrazive nu sunt fisurate, uzate sau foarte tocite, dacă perile de sărmă nu prezintă fire desprinse sau rupte. Dacă scula electrică sau dispozitivul de lucru cade pe jos, verificați dacă nu s-a deteriorat sau folosiți un dispozitiv de lucru nedeteriorat. După ce ați controlat și montat dispozitivul de lucru, țineți persoanele aflate în preajmă în afara planului de rotație al dispozitivului de lucru și lăsați scula electrică să funcționeze un minut la turația nominală. De cele mai multe ori, dispozitivele de lucru deteriorate se rup în această perioadă de probă.
- ▶ Purtați echipament personal de protecție. În funcție de utilizare, purtați o protecție completă a feței, protecție pentru ochi sau ochelari de protecție. Dacă este cazul, purtați mască de protecție împotriva prafului, protecție auditivă, mănuși de protecție sau șorț special care să vă ferească de micile așchii și particule de material. Ochii trebuie protejați de corpurile străine aflate

în zbor, apăruțe în cursul diferitelor aplicații. Maska de protecție împotriva prafului sau maska de protecție a respirației trebuie să filtreze praful degajat în timpul utilizării. Dacă sunteți expuși timp îndelungat zgometului puternic, vă puteți pierde auzul.

- ▶ Aveți grijă ca celelalte persoane să păstreze o distanță sigură față de sectorul dumneavoastră de lucru. Oricine pătrunde în sectorul de lucru trebuie să poarte echipament personal de protecție. Fragmente din piesa de lucru sau din dispozitivele rupte pot zbura necontrolat și provoca răni chiar în afara sectorului direct de lucru.
- ▶ Prindeți scula electrică numai de mânerule izolate atunci când executați lucrări pe parcursul cărora dispozitivul de lucru poate nimeri conductorii electrici ascunși sau propriul cablu de alimentare. Contactul cu un cablu aflat sub tensiune poate pune sub tensiune și componentele metalice ale sculei electrice și duce la electrocutare.
- ▶ Țineți cablul de alimentare departe de accesoriile care se roteesc. Dacă pierdeți controlul asupra mașinii, cablul de alimentare poate fi tăiat sau prins iar mâna sau brațul dumneavoastră poate nimeri sub accesoriul care se rotește.
- ▶ Nu puneți niciodată jos scula electrică înainte ca accesoriul să se fi oprit complet. Accesoriul care se rotește poate ajunge în contact cu suprafața de sprijin, fapt care vă poate face să pierdeți controlul asupra sculei electrice.
- ▶ Nu lăsați scula electrică să funcționeze în timp ce o transportați. În urma unui contact accidental cu accesoriul care se rotește, acesta vă poate prinde îmbrăcămintea și chiar pătrunde în corpul dumneavoastră.
- ▶ Curățați regulat fantele de aerisire ale sculei dumneavoastră electrice. Ventilatorul motorului atrage praf în carcasă iar acumularea puternică de pulberi metalice poate provoca pericole electrice.
- ▶ Nu folosiți scula electrică în apropierea materialelor inflamabile. Scântele pot duce la aprinderea acestor materiale.
- ▶ Nu folosiți accesoriul care necesită agenți de răcire lichizi. Folosirea apei sau a altor agenți de răcire lichizi poate duce la electrocutare.

REcul și AVERTISMENTE CORESPUNZĂTOARE

- ▶ Recul este reacția bruscă apărută la agățarea sau blocarea unui accesoriu care se rotește, cum ar fi un disc de șlefuit, un disc abraziv, o perie de sărmă, etc. Agățarea sau blocarea duce la oprirea bruscă a accesoriului care se rotește. Aceasta face, ca scula electrică necontrolată să fie accelerată în punctul de blocare, în sens contrar direcției de rotație a accesoriului. Dacă, de exemplu, un disc de șlefuit se agață sau se blochează în piesa de lucru, marginea discului de șlefuit care penetrează direct piesa de lucru se poate agața în aceasta și duce astfel la smulgerea discului de șlefuit sau poate provoca recul. Discul de șlefuit se va deplasa către operator sau în sens opus acestuia, în funcție de direcția de rotație a discului în punctul de blocare. În această situație discurile de șlefuit se pot chiar rupe. Un recul este consecința utilizării greșite sau defectuoase a sculei electrice. El poate fi împiedicat prin măsuri preventive adecvate, precum cele descrise în continuare.
- ▶ Țineți bine scula electrică și aduceți-vă corpul și brațele într-o poziție în care să puteți controla forțele de recul. Folosiți întotdeauna un mâner suplimentar, în caz că acesta există, pentru a avea un control maxim asupra

forțelor de recul sau a momentelor de reacție la turații ninalte. Operatorul poate stăpâni forțele de recul și de reacție prin măsuri preventive adecvate.

- ▶ Nu apropiați niciodată mâna de accesoriile aflate în mișcare de rotație. În caz de recul accesoriul se poate deplasa peste mâna dumneavoastră.
- ▶ Evitați să staționați cu corpul în zona de mișcare a sculei electrice în caz de recul. Reculul proiectează scula electrică într-o direcție opusă mișcării discului de șlefuit din punctul de blocare.
- ▶ Lucrați extrem de atent în zona colțurilor, muchiilor ascuțite, etc. Împiedicați ricoșarea accesoriului de pe piesa de lucru și blocarea acestuia. Accesoriul aflat în mișcare de rotație are tendința să se blocheze în colțuri, pe muchii ascuțite sau când ricoșează în urma izbirii. Aceasta duce la pierderea controlului sau la recul.
- ▶ Nu folosiți pânze de ferăstrău pentru lemn sau pânze dințate. Asemenea dispozitive de lucru provoacă frecvent recul sau duc la pierderea controlului asupra sculei electrice.

AVERTISMENTE SPECIALE PRIVIND ȘLEFUIREA ȘI TĂIEREA

- ▶ Folosiți numai corpuri abrazive admise pentru scula dumneavoastră electrică și o apărătoare de protecție prevăzută pentru aceste corpuri abrazive. Corpurile abrazive care nu sunt prevăzute pentru această sculă electrică nu pot fi acoperite și protejate suficient, fiind nesigure.
- ▶ Discurile de șlefuire cu degajare trebuie astfel montate încât suprafața lor de șlefuire să nu depășească planul marginii apărătoarei de protecție. Un disc de șlefuire montat necorespunzător, care depășește planul apărătoarei de protecție, nu poate fi acoperit suficient.
- ▶ Apărătoarea de protecție trebuie să fie bine montată pe scula electrică și, pentru un maxim de siguranță, să fie astfel reglată încât numai o porțiune infimă din corpul abraziv să rămână neacoperită în partea dinspre operator. Apărătoarea de protecție are rolul de a proteja operatorul de fragmentele desprinse din corpul abraziv, de contactul cu acesta cât și scântele degajate, care i-ar putea aprinde îmbrăcămintea.
- ▶ Corpurile abrazive trebuie folosite numai pentru posibilitățile de utilizare recomandate. De exemplu: nu șlefuiți cu partea laterală a unui disc de tăiere. Discurile de tăiere sunt destinate îndepărtării de material cu marginea discului. Exercițarea unei forțe laterale asupra acestui corp abraziv poate duce la ruperea sa.
- ▶ Folosiți întotdeauna flanșe de prindere nedeteriorate având dimensiuni și forme corespunzătoare discului de șlefuit ales de dumneavoastră. Flanșele adecvate sprijină discul de șlefuit diminuând astfel pericolul ruperii acestuia. Flanșele pentru discuri de tăiere pot fi diferite față de flanșele pentru alte discuri de șlefuit.
- ▶ Nu întrebuințați discuri de șlefuit uzate provenind de la scule electrice mai mari. Discurile de șlefuit pentru sculele electrice mai mari nu sunt concepute pentru turațiile mai ridicate ale sculelor electrice mai mici și se pot rupe.

ALTE AVERTISMENTE SPECIALE PRIVIND TĂIEREA

- ▶ Evitați blocarea discului de tăiere sau o apăsare prea puternică. Nu executați tăieri exagerat de adânci. O supraîncărcare a discului de tăiere mărește solicitarea acestuia și tendința sa de a devia, de a se răsuși în piesa de lucru sau de a se bloca, apărând astfel posibilitatea

unui recul sau a rupei corpului abraziv.

- Evitați zona din fața și din spatele discului de tăiere care se rotește. Dacă deplasați discul de tăiere în piesa de lucru în direcție opusă dumneavoastră, în caz de recul, scula electrică împreună cu discul care se rotește pot fi proiectate direct spre dumneavoastră.
- Dacă discul de tăiere se blochează sau dacă întrerupeți lucrul, deconectați scula electrică și nu o mișcați până când discul se oprește complet. Nu încercați niciodată să extrageți discul de tăiere din tăietură, altfel se poate produce un recul. Stabiliți și îndepărtați cauza blocării discului.
- Nu reporniți niciodată scula electrică cât timp aceasta se mai află încă în piesa de lucru. Lăsați discul de tăiere să atingă turația nominală și numai după aceea continuați să tăiați cu precauție. În caz contrar discul se poate agăța, sări afară din piesa de lucru sau provoca recul.
- Sprînjiniți plăcile sau piesele de lucru mari pentru a diminua riscul reculului cauzat de blocarea discului de tăiere. Piesele mari se pot încovoia sub propria greutate. De aceea, piesa de lucru trebuie sprînjinită pe ambele părți, atât în apropierea liniei de tăiere cât și pe margine.
- Fiți extrem de atenți în cazul „tăierii de cavități” în pereți deja existenți sau în alte sectoare fără vizibilitate. La penetrarea în sectorul vizat, discul de tăiere poate cauza recul dacă nimereste în conducte de gaz sau de apă, conductori electrici sau alte obiecte.

AVERTISMENTE SPECIALE PRIVIND ȘLEFUIREA CU HÂRTIE ABRAZIVĂ

- Nu întrebunați foi abrazive supradimensionate ci respectați indicațiile fabricantului privitoare la dimensiunile foilor abrazive. Foile abrazive care depășesc marginile discului abraziv, pot cauza răniri precum și agățarea, ruperea foilor abrazive, sau pot duce la recul. Avertismente speciale privind lucrul cu perile de sârmă
- Țineți seama de faptul că peria de sârmă pierde bucăți de sârmă chiar în timpul utilizării obișnuite. Nu suprasolicitați firele de sârmă printr-o apăsare prea puternică. Bucățile de sârmă desprinse pot pătrunde cu ușurință prin îmbrăcămintea subțire și/sau în piele.
- Dacă se recomandă o apărătoare de protecție, împiedicați contactul dintre apărătoarea de protecție și peria de sârmă. Discurile-perie și perile-oolă își pot mări diametrul sub acțiunea presiunii de apăsare și a forțelor centrifuge.


AVERTISMENTE SUPLEMENTARE

- Purtați ochelari de protecție.
- Folosiți detectoare adecvate pentru a localiza conducte de alimentare ascunse sau adresați-vă în acest scop regii locale furnizoare de utilități. Contactul cu conductorii electrici poate duce la incendiu și electrocutare. Deteriorarea unei conducte de gaz poate provoca explozii. Spargerea unei conducte de apă cauzează pagube materiale sau poate duce la electrocutare.
- Atunci când alimentarea cu energie electrică este întreruptă, de exemplu în cazul unei pene de curent, deblocați întrerupătorul pornit/oprit și aduceți-l în poziția oprit sau scoateți ștecherul afară din priză de curent.
- Nu atingeți discurile de șlefuire și de tăiere înainte ca acestea să se fi răcit. Discurile se încălzesc foarte puternic în timpul lucrului.
- Asigurați piesa de lucru. O piesă de lucru fixată cu dispozitive de prindere sau într-o menhină este ținută

mai sigur decât cu mâna dumneavoastră.

CONECTAREA LA SURSA DE ALIMENTARE

Asigurați-vă că informațiile privind alimentarea de pe plăcuța de identificare a echipamentului sunt compatibile cu alimentarea la care doriți să o conectați. Acest echipament face parte din Clasa II* și este proiectat să fie conectat la o sursă de alimentare detaliată pe plăcuța de identificare și compatibilă cu ștecherul livrat. Dacă este necesar un prelungitor, folosiți un prelungitor compatibil aprobat pentru acest echipament. Urmați toate instrucțiunile livrate cu prelungitorul.

*Izolație dublă : Acest produs nu necesită legare la pământ deoarece s-a aplicat izolație suplimentară la izolația de bază pentru a-l proteja de electroșocuri în caz de defectare a izolației de bază.

INSTRUCȚIUNI PRIVIND UTILIZAREA PRELUNGITOARELOR

- Asigurați-vă că prelungitorul dumneavoastră este în stare bună. La utilizarea unui prelungitor, asigurați-vă că acesta este destul de rezistent să suporte curentul consumat de nealța electrică. Un cablu subdimensionat va determina o cădere a tensiunii, cauzând pierderi de putere și supraîncălzire.
- Întotdeauna înlocuiți prelungitorul avariat sau trimiteți-l spre a fi reparat de o persoană calificată înainte de a-l utiliza.
- Protejați prelungitoarele de obiectele ascuțite, căldură excesivă și zone umede/cu igrasie.
- Utilizați un circuit electric separat pentru uneltele dumneavoastră. Acest circuit trebuie să fie protejată cu o siguranță cu decalaj. Anterior conectării la circuitul de alimentare, asigurați-vă că întrerupătorul se află în poziția OFF (oprit) și tensiunea electrică are aceeași valoare cu cea indicată pe plăcuța de identificare a motorului. Operarea la o tensiune mai scăzută va avaria motorul.

SPECIFICAȚIILE PRODUSULUI

DOMENIUL DE UTILIZARE

Scula electrică este destinată tăierii, degroșării și perierii materialelor metalice și a pietrei fără a se utiliza apă.

DATE TEHNICE

Număr de identificare	41628	
Model	AG 115/750 PLUS	
Tensiune nominală	V	230-240
	Hz	50/60
Putere nominală	W	750
Turație nominală	min ⁻¹	12.000
Diametru max. disc de șlefuit	mm	115
Filet arbore de polizat	M	14
Lungime maximă filet arbore de polizat	mm	11,5
Tezina	kg	1,7

Valorile zgomotului emis au fost determinate conform EN 60745-1

Nivelul de zgomot evaluat A al mașinii este în mod normal de		
Nivel presiune sonoră	dB(A)	90
Nivel putere sonoră	dB(A)	101
Incertitudine K	dB	3

Valorile totale ale vibrațiilor a_h (suma vectorială a trei direcții) și incertitudinea K au fost determinate conform EN 60745-1

Nivelul vibrațiilor:

$a_{h,AG}$	m/s^2	6,559
K	m/s^2	1,5

INFORMAȚIE PRIVIND ZGOMOTUL/VIBRAȚIILE

Nivelul vibrațiilor specificat în prezentele instrucțiuni a fost măsurat conform unei proceduri de măsurare standardizate în EN 60745 și poate fi utilizat la compararea diferitelor scule electrice. El poate fi folosit și pentru evaluarea provizorie a solicitării vibratorii.

Nivelul specificat al vibrațiilor se referă la cele mai frecvente utilizări ale sculei electrice. În eventualitatea în care scula electrică este utilizată pentru alte aplicații, împreună cu accesoriile diverse sau care diferă de cele indicate sau nu beneficiază de o întreținere satisfăcătoare, nivelul vibrațiilor se poate abate de la valoarea specificată. Aceasta poate amplifica considerabil solicitarea vibratorie de-a lungul întregului interval de lucru.

Pentru o evaluare exactă a solicitării vibratorii ar trebui luate în calcul și intervalele de timp în care scula electrică este deconectată sau funcționează, dar nu este utilizată efectiv. Această metodă de calcul ar putea duce la reducerea considerabilă a valorii solicitării vibratorii pe întreg intervalul de lucru. Stabiliți măsuri de siguranță suplimentare pentru protejerea utilizatorului împotriva efectului vibrațiilor, ca de exemplu: întreținerea sculei electrice și a accesoriilor, menținerea căldurii mâinilor, organizarea proceselor de muncă.

IDENTIFICARE

1. Întrerupător pornit/oprit
2. Tastă de blocare ax
3. Mâner suplimentar
4. Dispozitiv de protecție
5. Șurub dispozitiv de protecție
6. Axul
7. Flanșă de prindere
8. Cheie pentru piulițe
9. Flanșă de montare

UTILIZAREA

MONTAREA ACCESORIILOR (E)

- > Curățați fusul (06) și toate părțile care urmează a fi montate.
- > Strângeți flanșa de prindere (07) cu cheia de (08) în timp ce apăsați butonul de blocare a fusului (02).
- > Pentru demontarea accesoriilor acționați în ordinea inversă a operațiilor.

MONTAREA MÂNERUL AUXILIAR (C)

- > Înșurubați mânerul suplimentar (03) în funcție de modul de lucru, în partea stângă sau dreaptă a capului angrenajului.

DEMONTAREA/MONTAREA/REGLAJUL DISPOZITIV DE PROTECȚIE (B)

- > Eșafați dispozitivul de protecție (04) prin deșurubarea șurubului (05) (nu îl scoateți).
- > Așezați dispozitivul de protecție (04) pe mansona fusului de pe port-sculă și răsușiți-l în poziția cerută (în funcție de operația care trebuie realizată).
- > Strângeți dispozitivul de protecție (04) prin înșurubarea șurubului (05).

ÎNAINTE DE A FOLOSI SCULA

- > Asigurați-vă că accesoriul este corect montat și bine strâns.
- > Verificați dacă accesoriul se învârteste liber, rotindu-l cu mâna.
- > Testați scula în funcționare cel puțin 60 de secunde la cea mai mare turație de mers în gol într-o poziție sigură.
- > Opriti imediat în cazul unor vibrații considerabile sau al altor defecte și verificați scula pentru a stabili cauza.

ÎNTRERUPĂTORUL CU BLOCARE PORNIT/OPRIT (D)

- > Pentru punerea în funcțiune a sculei electrice, împingeți spre înainte comutatorul de pornire/oprire (01).
- > Pentru fixarea în poziție a comutatorului de pornire/oprire (01), apăsați comutatorul de pornire/oprire (01) spre înainte și în jos, până când se fixează în poziție.
- > Pentru a deconecta scula electrică, eliberați comutatorul de pornire/oprire (01) sau, atunci când este blocat, apăsați scurt în spre înapoi și în jos comutatorul de pornire/oprire (01), iar apoi eliberați-l.

ȘLEFUIREA

- > Cu un unghi de atac între 30° și 40° veți obține cele mai bune rezultate la degroșare. Deplasați înainte și înapoi scula electrică apăsând-o moderat. În acest mod piesa de lucru nu se va încălzi prea tare, nu-și va modifica culoarea și nu va prezenta creștături.
- > Nu întrebunțați niciodată discuri de tăiere pentru degroșare.

TĂIEREA

- > Atunci când tăieți nu basculați scula.
- > Mișcați întotdeauna scula în aceeași direcție ca și săgeata de pe port-sculă pentru ca scula să nu fie aruncată din tăiere în mod necontrolat.
- > Nu apăsați scula; lăsați viteza discului de tăiere să-și impună disciplina sarcina.
- > Viteza de lucru a discului de tăiere depinde de materialul care trebuie tăiat.
- > Nu blocați discurile de tăiere cu presiune laterală.

ÎNȚREȚINERE

Inspecția și curățarea regulată reduce necesitatea operațiilor de întreținere și va păstra echipamentul în stare bună de funcționare. Motorul trebuie ventilat corect în timpul operării. Din acest motiv evitați blocarea intrărilor de aer.

PROTECȚIA MEDIULUI



Reciclați materiile prime în loc să le eliminați ca deșeuri. Aparatul, accesoriile și ambalajul trebuie sortate pentru reciclarea ecologică. Componentele din plastic sunt etichetate pentru reciclarea pe categorii.

EXPLICAREA SIMBOLURILOR



Izolație dublă



Doar pentru utilizare în spații închise. Nu expuneți la ploaie.



- Purtați protecții pentru urechi.
- Afectarea plămânilor dacă nu este purtată o mască eficientă împotriva prafului.
- Deteriorarea auzului dacă nu este purtată o protecție auditivă eficientă.



Purtați mănuși de protecție



Nu folosiți pietre de polizor ciobite, crăpate sau defecte



Pentru a reduce riscul de vătămare corporală, utilizatorul trebuie să citească și să înțeleagă acest manual înainte de a utiliza acest produs.



Important!



Respectă standardele de siguranță relevante

GARANȚIE

Acest produs este garantat în conformitate cu reglementările legale/specifice fiecărei țări, în vigoare la data achiziției de către primul utilizator. Avarii care pot fi atribuite uzurii normale, supraîncălzirii sau manipulării necorespunzătoare vor fi excluse din garanție. În cazul unei revendicări, vă rugăm să trimiteți aparatul, complet asamblat, la distribuitorul dvs. sau la Centrul de service pentru aparate electrice.

DECLARAȚIE DE CONFORMITATE

- Declarăm pe proprie răspundere că acest produs este conform cu următoarele standarde sau documente standardizate: EN 60745-1, EN 60745-2-3, EN 55014-1, EN 55014-2, EN 61000-3-2, EN 61000-3-3 în conformitate cu regulile 2006/42/EC, 2014/30/EU.

- **Documentație tehnică la:**
FF GROUP TOOL INDUSTRIES S.A.,
19300, Aspropyrgos-Greece

Loudovikos Tsirigiotis
Operations & Engineering

FF GROUP TOOL INDUSTRIES S.A., 19300
Aspropyrgos-Greece. 03/09/2018

БЪЛГАРСКИ

ОБЩИ УКАЗАНИЯ ЗА БЕЗОПАСНА РАБОТА

Прочетете внимателно всички указания. Неспазването на приведените по-долу указания може да доведе до токов удар, пожар и/или тежки травми. Съхранявайте тези указания на сигурно място. Използваният по-долу термин «електроинструмент» се отнася до захранвани от електрическа мрежа електроинструменти (със захранващ кабел) и до захранвани от акумулаторна батерия електроинструменти (без захранващ кабел).

БЕЗОПАСНОСТ НА РАБОТНОТО МЯСТО

- Поддържайте работното си място чисто и добре осветено. Безпорядъкът и недостатъчното осветление могат да спомогнат за възникването на трудово злополука.
- Не работете с електроинструмента в среда с повишена опасност от възникване на експлозия, в близост до леснозапалими течности, газове или прахообразни материали. По време на работа в електроинструментите се отделят искри, които могат да възпламят прахообразни материали или пари.
- Дръжте деца и странични лица на безопасно разстояние, докато работите с електроинструмента. Ако вниманието Ви бъде отклонено, може да загубите контрола над електроинструмента.

БЕЗОПАСНОСТ ПРИ РАБОТА С ЕЛЕКТРИЧЕСКИ ТОК

- Щепселът на електроинструмента трябва да е подходящ за ползвания контакт. В никакъв случай не се допуска изменение на конструкцията на щепсела. Когато работите със занулени електроуреди, не използвайте адаптери за щепсела. Ползването на оригинални щепсели и контакти намалява риска от възникване на токов удар.
- ЕИЗбягвайте допира на тялото Ви до заземено тяло, напр. тръби, отоплителни уреди, пещи и хладилници. Когато тялото Ви е заземено, рискът от възникване на токов удар е по-голям.
- ФПредпазвайте електроинструмента си от дъжд и влага. Проникването на вода в електроинструмента повишава опасността от токов удар.
- Не използвайте захранващия кабел за цели, за които той не е предвиден, напр. за да носите електроинструмента за кабела или да извадите щепсела от контакта. Предпазвайте кабела от нагриване, омасляване, допир до остри ръбове или до подвижни звена на машини. Повредени или усукани кабели увеличават риска от възникване на токов удар.
- Когато работите с електроинструмент навън, използвайте само удължителни кабели, подходящи за работа на открито. Използването на удължител, предназначен за работа на открито, намалява риска от възникване на токов удар.
- Ако се налага използването на електроинструмента във влажна среда, използвайте предпазен прекъсвач за утечни токове. Използването на предпазен прекъсвач за утечни токове намалява опасността от възникване на токов удар.

БЕЗОПАСЕН НАЧИН НА РАБОТА

- Бъдете концентрирани, следете внимателно действията си и постъпвайте предпазливо и разумно. Не използвайте електроинструмента, когато сте уморени или под влиянието на наркотични вещества, алкохол или упойващи лекарства. Един миг разсеяност при работа с електроинструмент може да има за последствие изключително тежки наранявания.
- Работете с предпазващо работно облекло и винаги с предпазни очила. Носенето на подходящи за ползвания електроинструмент и извършваната дейност лични предпазни средства, като дихателна маска, здрави плътнотазаторни обувки със стабилен грайфер, защитна каска или шумозаглушители (антифони), намалява риска от възникване на трудова злополука.
- Избягвайте опасността от включване на електроинструмента по невнимание. Преди да включите щепсела в захранващата мрежа или да поставите акумулаторната батерия, се уверявайте, че пусковият прекъсвач е в положение «изключено». Ако, когато носите електроинструмента, държите пръста си върху пусковия прекъсвач, или ако подавате захранващо напрежение на електроинструмента, когато е включен, съществува опасност от възникване на трудова злополука.
- Преди да включите електроинструмента, се уверявайте, че сте отстранили от него всички помощни инструменти и гаечни ключове. Помощен инструмент, забравен на въртящо се звено, може да причини травми.
- Избягвайте неестествените положения на тялото. Работете в стабилно положение на тялото и във всеки момент поддържайте равновесие. Така ще можете да контролирате електроинструмента по-добре и побезопасно, ако възникне неочаквана ситуация.
- Работете с подходящо облекло. Не работете с широки дрехи или украшения. Дръжте косата си, дрехите и ръкавици на безопасно разстояние от въртящи се звена на електроинструментите. Широките дрехи, украшенията, дългите коси могат да бъдат захванати и увлечени от въртящи се звена.
- Ако е възможно използването на външна аспирационна система, се уверявайте, че тя е включена и функционира изправно. Използването на аспирационна система намалява рисковете, дължащи се на отделящата се при работа прах.

ГРИЖЛИВО ОТНОШЕНИЕ КЪМ ЕЛЕКТРОИНСТРУМЕНТИТЕ

- Не претоварвайте електроинструмента. Използвайте електроинструментите само съобразно тяхното предназначение. Ще работите по-добре и по-безопасно, когато използвате подходящия електроинструмент в зададения от производителя диапазон на натоварване.
- Не използвайте електроинструмент, чиито пусков прекъсвач е повреден. Електроинструмент, който не може да бъде изключван и включван по предвидения от производителя начин, е опасен и трябва да бъде ремонтиран.
- Преди да промените настройките на електроинструмента, да замените работни инструменти и допълнителни приспособления, както и когато

продължително време няма да използвате електроинструмента, изключвайте щепсела от захранващата мрежа и/или изваждайте акумулаторната батерия. Тази мярка премахва опасността от действие на електроинструмента по невнимание.

- Съхранявайте електроинструментите на места, където не могат да бъдат достигнати от деца. Не допускайте те да бъдат използвани от лица, които не са запознати с начина на работа с тях и не са прочели тези инструкции. Когато са в ръцете на неопитни потребители, електроинструментите могат да бъдат изключително опасни.
- Поддържайте електроинструментите си грижливо. Проверявайте дали подвижните звена функционират безукорно, дали не заклинат, дали има счупени или повредени детайли, които нарушават или изменят функциите на електроинструмента. Преди да използвате електроинструмента, се грижете повредените детайли да бъдат ремонтирани. Много от трудовете злополуки се дължат на недобре поддържани електроинструменти и уреди.
- Поддържайте режещите инструменти винаги добре заточени и чисти. Добре поддържаните режещи инструменти с остри ръбове оказват по-малко съпротивление и се водят по-леко.
- Използвайте електроинструментите, допълнителните приспособления, работните инструменти и т.н., съобразно инструкциите на производителя. При това се съобразявайте и с конкретните работни условия и операции, които трябва да изпълните. Използването на електроинструменти за различни от предвидените от производителя приложения повишава опасността от възникване на трудови злополуки.

ПОДДЪРЖАНЕ

Допускайте ремонтът на електроинструментите Ви да се извършва само от квалифицирани специалисти и само с използването на оригинални резервни части. По този начин се гарантира съхраняване на безопасността на електроинструмента.

УКАЗАНИЯ ЗА БЕЗОПАСНА РАБОТА С ЪГЛОШЛАЙФИ

ОБЩИ УКАЗАНИЯ ЗА БЕЗОПАСНА РАБОТА ПРИ ШЛИФОВАНЕ С ДИСК И С ШКУРКА, ПОЧИСТВАНЕ С ТЕЛЕНА ЧЕТКА И РЯЗАНЕ С АБРАЗИВЕН ДИСК

- Този електроинструмент може да се използва за шлифване с абразивен диск и с шкурка, почистване с телена четка, полиране и рязане с абразивен диск. Спазвайте всички указания и предупреждения, съобразявайте се с приведените технически параметри и изображения. Ако не спазвате посочените по-долу указания, последствията могат да бъдат токов удар, пожар и/или тежки травми.
- Този електроинструмент не е подходящ за полиране. Извършването на дейности, за които електроинструментът не е предназначен, може да бъде опасно и да доведе до травми.
- Не използвайте допълнителни приспособления, които не се препоръчват от производителя специално за този електроинструмент. Фактът, че можете да закрепите към машината определено

приспособление или работен инструмент, не гарантира безопасна работа с него.

- ▶ Допустимата скорост на въртене на работния инструмент трябва да е най-малкото равна на изписаната на табелката на електроинструмента максимална скорост на въртене. Работни инструменти, които се въртят с по-висока скорост от допустимата, могат да се счупят и парчета от тях да отхвърчат с висока скорост.
- ▶ Външният диаметър и дебелината на работния инструмент трябва да съответстват на данните, посочени в техническите характеристики на Вашия електроинструмент. Работни инструменти с неподходящи размери не могат да бъдат екранирани по необходимия начин или да бъдат контролирани достатъчно добре.
- ▶ Работни инструменти с опашка на резба трябва да пасват точно на присъединителната резба на вала на машината. При работни инструменти, които се монтират с помощта на фланец, диаметърът на отвора трябва да пасва точно на диаметъра на присъединителното стъпало на фланеца. Работни инструменти, които не бъдат захванати правилно към електроинструмента, се въртят неравномерно, вибрират силно и могат да предизвикат загуба на контрол над електроинструмента.
- ▶ Не използвайте повредени работни инструменти. Преди всяка употреба проверявайте работните инструменти, напр. абразивните дискове за пукнатини или откъртени ръбчета, подложните дискове за пукнатини или силно износване, телените четки за недобре захванати или счупени телчета. Ако изтървете електроинструмента или работния инструмент, ги проверявайте внимателно за увреждания или из- ползвайте нови неповредени работни инструменти. След като сте проверили внимателно и сте монтирали работния инструмент, оставете електроинструмента да работи на максимални обороти в продъл- жение на една минута; стойте и дръжте намиращи се наблизо лица встрани от равнината на въртене. Най-често повредени работни инструменти се чупят през този тестов период.
- ▶ Работете с лични предпазни средства. В зависимост от приложението работете с цяла маска за лице, защита за очите или предпазни очила. Ако е необходи- мо, работете с дихателна маска, шумозаглушители (антифони), работни обувки или специализирана престилка, която Ви предпазва от малки откъртени при работата частички. Очите Ви трябва да са защитени от летящите в зоната на работа частички. Противопраховата или дихателната маска филтрират възникващия при работа прах. Ако продължително време сте изложени на силен шум, това може да доведе до загуба на слух.
- ▶ Внимавайте други лица да бъдат на безопасно разстояние от зоната на работа. Всеки, който се намира в зоната на работа, трябва да носи лични предпазни средства. Откъртени парченца от обработвания детайл или работния инструмент могат в резултат на силното ускорение да отлетят надалече и да предизвикат наранявания също и извън зона- та на работа.
- ▶ Когато съществува опасност работният инструмент да попадне на скрити под повърхността проводници под напрежение, дръжте електроинструмента само за елетроизолираните ръкохватки. При кон-

такт с проводници под напрежение то може да се предаде на металните елементи на електроинструмента и това да предизвика токов удар.

- ▶ Дръжте захранващия кабел на безопасно разстояние от въртящите се работни инструменти. Ако изгубите контрол над електроинструмента, кабелът може да бъде прерязан или увлечен от работния инструмент и това да предизвика наранявания, напр. на ръката Ви.
- ▶ Никога не оставяйте електроинструмента, преди работният инструмент да спре напълно въртенето си. Въртящият се инструмент може да допре до предмет, в резултат на което да загубите контрол над електроинструмента.
- ▶ Докато пренасяте електроинструмента, не го оставяйте включен. При неволен допир дрехите или косите Ви могат да бъдат увлечени от работния инструмент, в резултат на което работният инструмент може да се вреже в тялото Ви.
- ▶ Редовно почиствайте вентилационните отвори на Вашия електроинструмент. Турбината на електродвигателя засмуква прах в корпуса, а натрупването на метален прах увеличава опасността от токов удар.
- ▶ Не използвайте електроинструмента в близост до леснозапалими материали. Летящи искри могат да предизвикат възпламеняването на такива материали.
- ▶ Не използвайте работни инструменти, които изискват прилагането на охлаждащи течности. Използването на вода или други охлаждащи течности може да предизвика токов удар.

ОТКАТ И СЪВЕТИ ЗА ИЗБЯГВАНЕТО МУ

- ▶ Откат е внезапната реакция на машината вследствие на заклиняване или блокиране на въртящия се работен инструмент, напр. абразивен диск, гумен подложен диск, телена четка и др. п. Заклиняването или блокирането води до рязкото спиране на въртенето на работния инструмент. Вследствие на това електроинструментът получава силно ускорение в посока, обратна на посоката на движение на инструмента в точката на блокиране, и става неуправляем. Ако напр. абразивен диск се заклини или блокира в обработваното изделие, ръбът на диска, който допира детайла, може да се огъне и в резултат дискът да се счупи или да възникне откат. В такъв случай дискът се ускорява към работещия с машината или в обратна посока, в зависимост от посоката на въртене на диска и мястото на заклиняване. В такива случаи абразивните дискове могат и да се счупят. Откат възниква в резултат на неправилно или погрешно използване на електроинструмента. Възникването му може да бъде предотвратено чрез спазването на подходящи предпазни мерки, както е описано по-долу.
- ▶ Дръжте електроинструмента здраво и дръжте ръцете и тялото си в такава позиция, че да противостоите на евентуално възникващ откат. Ако електроинструментът има спомагателна ръкохватка, винаги я използвайте, за да го контролирате по-добре при откат или при възникващите реакционни моменти по време на включване. Ако предва- рително вземете подходящи предпазни мерки, при възникване на откат или силни реакционни моменти можете да овладеее машината.

- Никога не поставяйте ръцете си в близост до въртящи се работни инструменти. Ако възникне откат, инструментът може да нарани ръката Ви.
- Избягвайте да заставате в зоната, в която би отскочил електроинструментът при възникване на откат. Откатът премества машината в посока, обратна на посоката на движение на работния инструмент в зоната на блокиране.
- Работете особено предпазливо в зоните на ъгли, остри ръбове и др. п. Избягвайте отблъскването или заклиняването на работните инструменти или заклиняването на работния инструмент в обработвания детайл. При обработване на ъгли или остри ръбове или при рязко отблъскване на въртящия се работен инструмент съществува повишена опасност от заклиняване. Това предизвиква загуба на контрол над машината или откат.
- Не използвайте верижни или назъбени режещи листове. Такива работни инструменти често предизвикват откат или загуба на контрол над електроинструмента.

СПЕЦИАЛНИ УКАЗАНИЯ ЗА БЕЗОПАСНА РАБОТА ПРИ ШЛИФОВАНЕ ИЛИ РЯЗАНЕ С АБРАЗИВНИ ДИСКОВЕ

- Използвайте само предвидените за Вашия електроинструмент абразивни дискове и предназначения за използвания абразивен диск предпазен кожух. Абразивни дискове, които не са предназначени за телеинструмента, не могат да бъдат екранирани добре и не гарантират безопасна работа.
- Огнати дискове трябва да се монтират така, че шлифоващата им повърхност да не се подава извън равнината на външния ръб на предпазния кожух. Неправилно монтиран шлифоващ диск, който се подава извън предпазния кожух, не може да бъде екраниран от кожуха достатъчно добре.
- Предпазният кожух трябва да е поставен сигурно на електроинструмента и с оглед осигуряване на максимална степен на защита да е настроен така, че открита към работещия с електроинструмента да остава възможно най-малка част от абразивния инструмент. Предпазният кожух защитава работещия с електроинструмента от откъртени парченца от обработвания материал, от неволни контакт с абразивния диск, както и от искри, които биха могли да възпламенят дрехите.
- Допуска се използването на абразивните дискове само за целите, за които те са предвидени. Напр.: никога не шлифвайте със страничната повърхност на диск за рязане. Дисковете за рязане са предназначени за отнемане на материал с ръба си. Странично прилагане на сила може да ги счупи.
- Винаги използвайте застопоряващи фланци, които са в безукорно състояние и съответстват по размери и форма на използвания абразивен диск. Използването на подходящ фланец предпазва диска и по този начин намалява опасността от счупването му. Застопоряващите фланци за режещи дискове могат да се различават от тези за дискове за шлифване.
- Не използвайте износени абразивни дискове от по-големи електроинструменти. Дисковете за по-големи машини не са предназначени за въртене с високите скорости, с които се въртят по-малките, и могат да се счупат.

СПЕЦИАЛНИ УКАЗАНИЯ ЗА БЕЗОПАСНА РАБОТА С РЕЖЕЩИ ДИСКОВЕ

- Избягвайте блокиране на режещия диск или силното му притискане. Не изпълнявайте твърде дълбоки срезове. Претоварването на режещия диск увеличава опасността от заклиняването му или блокирането му, а с това и от възникването на откат или счупването му, докато се върти.
- Избягвайте да заставате в зоната пред и зад въртящия се режещ диск. Когато режещият диск е в една равнина с тялото Ви, в случай на откат електроинструментът с въртящия се диск може да отскочи непосредствено към Вас и да Ви нарани.
- Ако режещият диск се заклини или когато прекъсват работата, изключвайте електроинструмента и го оставайте едва след окончателното спиране на въртенето на диска. Никога не опитвайте да извадите въртящия се диск от междината на рязане, в противен случай може да възникне откат. Определете и отстранете причината за заклиняването.
- Не включвайте повторно електроинструмента, ако дискът се намира в разрязвания детайл. Преди внимателно да продължите рязането, изчакайте режещият диск да достигне пълната си скорост на въртене. В противен случай дискът може да се заклини, да отскочи от обработвания детайл или да предизвика откат.
- Подпирайте плочи или големи разрязвани детайли по подходящ начин, за да ограничите риска от възникване на откат в резултат на заклинен режещ диск. По време на рязане големи детайли могат да се огънат под действие на силата на собственото си тегло. Детайлът трябва да е подпрян от двете страни, както в близост до линията на разрязване, така и в другия си край.
- Бъдете особено предпазливо при прорязване на каапи в стени или други зони, които могат да крият изненади. Режещият диск може да предизвика откат на машината при допир до газо- или водопроводи, електропроводи или други обекти.

СПЕЦИАЛНИ УКАЗАНИЯ ЗА БЕЗОПАСНА РАБОТА ПРИ ШЛИФОВАНЕ С ШУРКА

- Не използвайте твърде големи листови шурка, спазвайте указанията на производителя за размерите на шурката. Листове шурка, които се подават извън подложния диск, могат да предизвикат наранявания, както и да доведат до блокиране и разкъсване на шурката или до възникване на откат.

СПЕЦИАЛНИ УКАЗАНИЯ ЗА БЕЗОПАСНА РАБОТА ПРИ ПОЧИСТВАНЕ С ТЕЛЕНИ ЧЕТКИ


- Не забравяйте, че и при нормална работа от телената четка падат телчета. Не претоварвайте телената четка, като я притискате твърде силно. Отхвърчащите от телената четка телчета могат лесно да проникнат през дрехите и/или кожата Ви.
- Ако се препоръчва използването на предпазен кожух, предварително се уверявайте, че телената четка не допира до него. Дисковете и чашковидните телени четки могат да увеличат диаметъра си в резултат на силата на притискане и центробежните сили.

ДОПЪЛНИТЕЛНИ УКАЗАНИЯ ЗА БЕЗОПАСНА РАБОТА

- ▶ Работете с предпазни очила.
- ▶ Използвайте подходящи прибори, за да откриете евентуално скрити под повърхността тръбопроводи, или се обърнете към съответното местно снабдително дружество. Влизането в съприкосновение с проводници под напрежение може да предизвика пожар и токов удар. Увреждането на газопровод може да доведе до експлозия. Повреждането на водопровод има за следствие големи материални щети и може да предизвика токов удар.
- ▶ Ако захранващото напрежение бъде прекъснато (напр. вследствие на прекъсване на тока или ако щепселът бъде изваден от контакта), деблокирайте лусковия прекъсвач и го поставете в позиция „изключено“.
- ▶ Не допирайте абразивните дискове, преди да са се охладили. По време на работа дисковете се нагряват силно.
- ▶ Осигурявайте обработвания детайл. Детайл, захванат с подходящи приспособления или скоби, е здържопорен по здраво и сигурно, отколкото, ако го държатите с ръка.

СВЪРЗВАНЕ КЪМ ЕЛЕКТРИЧЕСКАТА МРЕЖА

Уверете се, че информацията за захранването на табелката с данни за номиналната мощност на машината е съвместима с електрозахранването, към което възнамерявате да я свържете. Този уред е Клас II* и е предназначен за свързване към захранване, съответстващо на описаното на табелката и съвместимо с монтирания щепсел. Ако е необходим удължител, използвайте одобрен и съвместим кабел, предназначен за характеристиките на този уред. Следвайте инструкциите, предоставени от съдържателя.

* двойна изолация : Този продукт не изисква заземяване, тъй като към основната изолация е приложена допълнителна изолация, за да се осигури защита от токов удар в случай на повреда на основната изолация.

УКАЗАНИЯ ЗА ИЗПОЛЗВАНЕ НА УДЪЛЖИТЕЛНИ КАБЕЛИ

- ▶ Уверете се, че вашият удължителен кабел е в добро състояние. Когато използвате удължителен кабел, не забравяйте да използвате достатъчно тежък кабел, който да може да понесе електричеството, от което ще се захранва вашият продукт. Кабел с по-малка дължина ще причини спад в мрежовото напрежение, което ще доведе до загуба на мощност и прегряване.
- ▶ Уверете се, че вашият удължителен кабел е правилно свързан и е в добро състояние. Винаги подменяйте повредения удължителен кабел или осигурявайте поправянето му от квалифицирано лице, преди да го използвате.
- ▶ Предпазвайте удължителните кабели от остри предмети, прекомерна топлина и мокри/влажни зони.
- ▶ Използвайте отделна електрическа верига за вашите инструменти. Тази верига трябва да бъде защитена с подходящ предпазител със забавено действие. Преди да свържете мотора към захранващ кабел, се уверете, че ключът е в положение

ние ИЗКЛ. и че електрическото напрежение е същото като напрежението, отпечатано на табелката на двигателя. Работата с по-ниско напрежение ще повреди мотора.

СПЕЦИФИКАЦИИ НА ПРОДУКТА

ПРЕДНАЗНАЧЕНИЕ

Електроинструментът е предназначен за рязане, шмиргелене и почистване с четка на метални и каменни материали без използване на вода.

ТЕХНИЧЕСКИ ДАННИ

Артикул №	41628	
Модел	AG 115/750 PLUS	
Номинално напрежение	V	230-240
	Hz	50/60
Номинална консумирана мощност	W	750
Номинална скорост на въртене	min ⁻¹	12.000
макс. диаметър на шлифовалния диск	mm	115
Резба на вала	M	14
макс. дължина на резбата на вала	mm	11,5
Тегло	kg	1,7

Стойностите на излъчвания шум са определени съгласно EN 60745-1

Равнището A на излъчвания шум обикновено е		
Равнище на звуковото налягане	dB(A)	90
Мощност на звука	dB(A)	101
Неопределеност K	dB	3

Пълната стойност на вибрациите a_h (векторната сума по трите направления) и неопределеността K са определени съгласно EN 60745-1

Ниво на вибрации:		
a _{h,AG}	m/s ²	6,559
K	m/s ²	1,5

ТЕХНИЧЕСКИ ДАННИ

Посоченото в това ръководство за експлоатация равнище на генерираните вибрации е измерено съгласно процедура, стандартизирана в EN 60745, и може да служи за сравняване на електроинструменти един с друг. То е подходящо също и за предварителна ориентировъчна преценка на натоварването от вибрации.

Посоченото ниво на генерираните вибрации е представително за най-често срещаните приложения на електроинструмента. Ако обаче електроинструментът бъде използван за други дейности, с различни работни инструменти или без необходимото техническо обслужване, нивото на вибрациите може да се различава. Това би могло да увеличи значително сумарното натоварване от

вибрации в процеса на работа.

За точната преценка на натоварването от вибрации трябва да бъдат взимани предвид и периодите, в които електроинструментът е изключен или работи, но не се ползва. Това би могло значително да намали сумарното натоварване от вибрации. Предписвайте допълнителни мерки за предпазване на работещия с електроинструмента от въздействието на вибрациите, например: техническо обслужване на електроинструмента и работните инструменти, поддържане на ръцете топли, целесъобразна организация на работните стъпки.

ИДЕНТИФИКАЦИЯ

1. Пусков прекъсвач
2. Бутон за блокиране на вала
3. Спомагателна ръкохватка
4. Защитна охрана
5. Винта на защитния капак
6. Шпиндел
7. Затягащ фланец
8. Гаечен ключ
9. Крепяващия фланец

УПОТРЕБА

МОНТИРАНЕ НА АКСЕСОАРИТЕ (E)

- Почистете шпиндела **(06)** и всички части, които ще се монтират.
- **(07)** ключа С притегнете затягащ фланеца **(08)** като натискате бутона за заключване на шпиндела **(02)**.
- За премахване на консумативи следвайте обратния ред

МОНТИРАНЕ НА ПОМОЩНАТА ДРЪЖКА (C)

- Навийте спомагателната ръкохватка **(03)** в зависимост от начина на работа с машината отляво или отдясно на главата.

СВАЛЯНЕ/МОНТИРАНЕ/РЕГУЛИРАНЕ НА ЗАЩИТНИЯ КАПАК (B)

- Отворете защитния капак **(04)** развивайки винта **(05)**.
- Поставете защитния капак **(04)** върху тази част от главата на инструмента, където се намира шпиндела и го завъртете в съответната посока (в зависимост от това, какво ще извършвате).
- Закрепете защитния капак **(04)** затягайки винта **(05)**.

ПРЕДИ УПОТРЕБА

- Уверете се, че аксесоарите са правилно поставени и здраво затегнати.
- Проверете дали аксесоарите се въртят свободно като ги завъртете с ръка.
- Предварително тествайте инструмента, като я включете най-малко за 60 секунди на максимална скорост.
- В случай на силни вибрации или други неизправности, веднага спрете инструмента за установяване на повредата.

ВКЛЮЧЕТЕ/ИЗКЛЮЧЕТЕ КЛЮЧА (D)

- За включване на електроинструмента преместете пусковия прекъсвач **(01)** напред.
- За застопоряване на пусковия прекъсвач **(01)** на-

тиснете пусковия прекъсвач **(01)** в предния му край, докато усетите прещракване.

- За изключване на електроинструмента отпуснете пусковия прекъсвач **(01)** респ. ако е застопорен, кратковременно натиснете и отпуснете пусковия прекъсвач **(01)**.

ШЛИФОВАНЕ

- Под наклон от 30° до 40° при шлифване ще постигнете най-добрите резултати. Придвижвайте електроинструмента с умерен натиск напред-назад. Така обработваният детайл няма да се прегрее, повърхността му да промени цвета си и няма да се образуват дълбоки бразди.
- Никога не използвайте режещи дискове за грубо шлифване.

РЯЗАНЕ

- Не навеждайте инструмента при рязане.
- За да избегнете неочаквано отскачане на инструмента в страни, винаги движете инструмента в посока на стрелката, която се намира върху главата.
- Не прилагайте натиск върху инструмента; оставете движението на режещия диск да извършва процеса.
- Работната скорост на режещия диск зависи от материала, който трябва да се отреже.
- Не спирайте режещия диск с външен натиск.

ПОДДРЪЖКА

Редовната проверка и почистване намаляват необходимостта от операции по поддръжката и ще поддържат инструмента ви в добро работно състояние. Двигателят трябва да бъде правилно вентилиран по време на работата на инструмента. Поради тази причина избягвайте блокирането на отворите за входящ въздух.

ЗАЩИТА НА ОКОЛНАТА СРЕДА



Рециклирайте суровините, вместо да ги изхвърляте като отпадъци. Машината, аксесоарите и опаковката трябва да бъдат сортирани за екологично рециклиране. Пластмасовите компоненти са етикетирани за категоризирано рециклиране.

ОБЯСНЕНИЕ НА СИМВОЛИТЕ



Двойна изолация



Само за използване на закрито. Да не се излага на дъжд.



- Носете защита за очите.
- Увреждане на белите дробове, ако не се носи ефективна противопроахова маска.



Носете защитни ръкавици



Не използвайте счупен, пукнат или дефектен шлифовъчен кръг



За да се намали рискът от нараняване, потребителят трябва да прочете и разбере този наръчник, преди да използва продукта.



Важно!



Отговаря на приложимите стандарти за безопасност

ГАРАНЦИЯ

Този продукт е гарантиран в съответствие със законовите/специфичните за страната разпоредби в сила от датата на закупуване от първия потребител. Щетите, причинени от нормално износване, претоварване или неправилно боравене, ще бъдат изключени от гаранцията. В случай на рекламация, моля, изпратете машината напълно сглобена на вашия дилър или сервизен център за електрически инструменти.

ДЕКЛАРАЦИЯ ЗА СЪОТВЕТСТВИЕ

- Декларираме на изцяло наша отговорност, че това изделие е съобразено със следните стандарти или стандартизирани документи: EN 60745-1, EN 60745-2-3, EN 55014-1, EN 55014-2, EN 61000-3-2, EN 61000-3-3 в съответствие с нормативната уредба на 2006/42/EC, 2014/30/EU.

- **Подробни технически описания при:**

FF GROUP TOOL INDUSTRIES S.A.,
19300 Aspropyrgos-Greece

Loudovikos Tsirigiotis
Operations & Engineering

FF GROUP TOOL INDUSTRIES S.A.,
19300, Aspropyrgos-Greece. 03/09/2018

FF GROUP[®]

QUALITY POWER TOOLS



FF Group Tool Industries



9,5 Km Attiki Odos, Aspropyrgos

19300, Athens, Greece



+30 210 55 98 400



info@ffgroup-toolindustries.com



www.ffgroup-tools.com